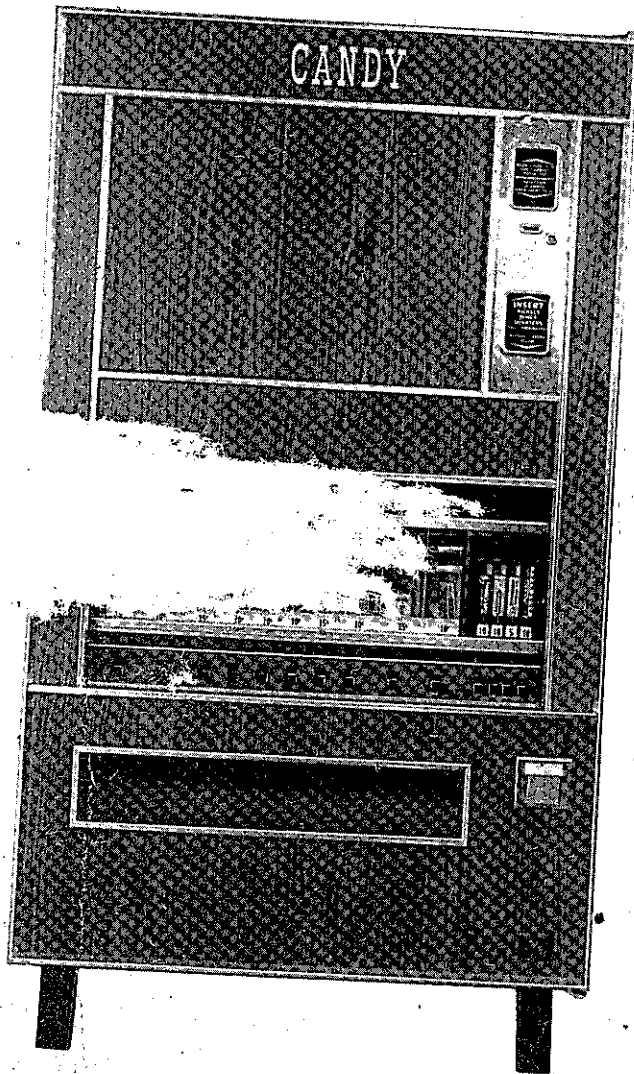


**Lektro
Vend**

**SERVICE
AND PARTS
MANUAL**

Page



MODELS

170 - 172

173 - 175

**VENDING
MACHINES**

LEKTRO VEND CORP.

911
Al

**MAILING ADDRESS
P. O. BOX 649
AURORA, ILLINOIS 60507
PHONE 312/896-8555**

TABLE OF CONTENTS

| Figure | Page |
|--|------|
| Leveling Machine..... | 2 |
| Price Setting..... | 2 |
| Installation of Door Lock..... | 2 |
| Operation Checkout..... | 2 |
| Mint Column Spacers..... | 3 |
| Loading Machine..... | 3 |
| General Maintenance..... | 4 |
| Timing of Vending Unit..... | 4 |
| Machine Warranty..... | 5 |
| 1 Machine Final Assembly Models with Mint..... | 6 |
| 2 Machine Final Assembly Models without Mint..... | 8 |
| 3 Unit Assembly 10 Column Model 170..... | 10 |
| 4 Unit Assembly 5 Column Model 172..... | 12 |
| 5 Unit Assembly 8 Column Model 173..... | 14 |
| 6 Unit Assembly 11 Column Model 175..... | 16 |
| 7 Column Assembly 2" - 55..... | 18 |
| 8 Column Assembly 3" N-55..... | 20 |
| 9 Column Assembly 3" W-43..... | 22 |
| 10 Column Assembly 5" N-43..... | 24 |
| 11 Column Assembly 5" W-31..... | 26 |
| 12 Gum and Mint Assembly..... | 28 |
| 13 Drive Motor Assembly with Gum and Mint..... | 30 |
| 14 Drive Motor Assembly without Gum and Mint..... | 31 |
| 15 Pusher and Drive Bar Assembly..... | 32 |
| 16 Door Assembly — All Models Except Rowe Award..... | 33 |
| 17 Door Assembly — Rowe Award..... | 38 |
| 18 Top Light Assembly..... | 42 |
| 19 Rowe Award Shadow Box Light Assembly..... | 43 |
| 20 Selector Assembly — All Models..... | 44 |
| 21 Junction Box Assembly..... | 46 |
| Notes..... | 47 |

LEVELING MACHINE

Your machine is equipped with four legs and a leveling screw, one for each of the four legs. These screws are adjusted from outside the machine. Adjust these screws so that the machine is level and does not rock or teeter on any of the four legs.

After the machine has been located where desired and has been leveled, the door stabilizer rod (figures 16 and 17) must be adjusted. This rod is used to prevent the machine from tipping forward. To adjust this rod you must remove the two No. 1/4-20 x 1/2 hex head machine screws (No. 70 on fig. 16 and No. 57 on fig. 17). The rod (No. 71 on fig. 16 and No. 58 on fig. 17) can then slide up or down. The right adjustment is about 1/8 of an inch between the bottom of the rod and the floor. Once this has been reached, replace the two screws (No. 70 or No. 57).

PRICE SETTING

This machine sells merchandise at four different prices at one time ranging from 5¢ to \$1.00. The coin mechanism is set at the factory from 10¢, 15¢, 20¢, and 25¢ sales. These four prices may be changed. However, they must be modified in the changer also. These instructions are found in the Model 350 or 351 Changer Manual.

Each column has four separate price settings. These price settings are found on the back of the door (see figures 16 and 17). To change the price remove the No. 8-32 x 5/16 screw (No. 15 on fig. 16 and No. 8 on fig. 17) then slide off the price exchange cover (No. 16 on fig. 16 and No. 9 on fig. 17). In order to change the price, remove the wire from the unwanted terminal price and place it on the proper price terminal. The coin mechanism is shipped from the factory with price no. 1 corresponding to a 10¢ sale, price no. 2, 15¢, price no. 3, 20¢ and price no. 4, 25¢. Replace cover after changing the prices to prevent unauthorized people from changing the prices.

INSTALLATION OF DOOR LOCK

NOTE: In most cases the machine is shipped without the door lock assembled in the door. The lock, lock cam, link and all necessary hardware are located in a bag inside the shipping carton.

A temporary lock lift bar protrudes through lock hole in door. Lift bar upward to open door. After door is open, remove retaining ring, washer, and temporary lock lift bar. Place lock protecting washer (61 fig. 1 and 58 fig. 2) on lock cylinder 58 and 61. Place lock through opening in door with keyway towards outer edge of door. Screw lock nut 58 and 61 onto lock cylinder and secure tightly in place. All parts shown in figures 1 and 2 are shown in the unlocked position. Assemble lock cam 59 and 62 onto lock shaft and secure in place with small lock washer and nut 58 and 61. Note that lock cam link 60 and 63 has a hole in each end. At one end, the hole is off center. This is the top hole which should fit over pin on lock cam 59 and 62. Be sure narrow side of lock cam link is toward outer edge of door. Place lock cam link 60 and 63 on lock cam and lock bar. Secure in place with lock cam link retainer 61 and 64. Place screw (5) in center hole to hold links in place. Using provided key, work lock back and forth a few times to be sure all parts are aligned properly and that lock bar is working properly before attempting to lock door.

OPERATION CHECKOUT

In the cash box of each machine there is an envelope containing 1 price sheet for each column. (65 and 62 figures 1 and 2). Separate each price card from price sheet by bending back and forth on scored line. The large price cards, ranging from 5¢ to 60¢, are for the shelf section of the machine. The smaller price cards, ranging from 5¢ to 15¢, are for the gum and mint section. Place the proper price card for the selected selling price in the display shelf channel (6, 7, 8 on figures 3, 4, 5, and 6) for the shelf section of the

machine, and channel (56, figure 16 and 47, figure 17) for the gum and mint section of the machine. Each price card should be centered in the desired column.

The machine should now be checked to be sure that all columns are set on the desired price.

- (1) Fill nickel payout tube in coin changer with nickels and place about four gum and mint items in each column.
- (2) Insert a quarter into machine and operate each column.
- (3) Check that correct change has been issued, corresponding to established selling price.
- (4) Use same procedure using dimes and nickels, inserting exact selling price for each column. Both checks will verify that each column is set on desired price, and also that coin changer is set on desired prices.
- (5) Run gum and mint section until it is sold out.
- (6) When gum and mint section is empty, column will not run, and when selector push button is pressed, the out light will light. The same out light will light for any of the four depleted gum and mint columns. Candy sections do not have out lights because empty columns are visible.

MINT COLUMN SPACERS

This gum and mint unit will vend 3" or 4" long items. It is shipped ready to vend the 3" items. To vend 4" long items the mint column spacer must be removed. To remove the mint column spacer (4, figure 12) remove screw (49, figure 12) then lift up and pull forward. To replace the mint column spacer (4, figure 12) hook the top of the spacer over the back of the mint column and replace screw (49, figure 12). CAUTION: This spacer must be in when vending 2-5/8" to 3" long items.

LOADING MACHINE

These machines have four gum and mint columns and will vend gum or mint from 2-1/2" to 4" long and up to 15/16" high. The shelf merchandise section has 10 columns in the 170, 5 columns, no gum and mint in the 172, 8 columns in the 173, and 11 columns in the 175.

There are 3 widths of shelves, the 2" shelf should never vend an item wider than 1-15/16", the 3" shelf never wider than 2-15/16" and the 5" shelf never vend an item wider than 4-15/16".

This machine sells the item displayed in the shelf section. Therefore, this eliminates the need for a display bar. Any column may be loaded with a variety of different types of merchandise as long as merchandise is the same price. Load machine from bottom display shelf and work upward in the front section. Load all front shelves, including 2 shelves going around the upper radius.

After front of unit has been loaded, swing unit out. To swing the unit out, release lever (49, figure 1 and 46, figure 2) at the upper left hand corner of the cabinet. The left hand side of the unit will then pivot outward about 90 degrees. This will enable you to load the back portion of the unit. In loading the back portion of the unit, start with two shelves at the top, taking care not to omit shelves that are on an angle at the top. All candy placed in rear section of unit must be placed on shelf with wrapper face down. This is done so that candy wrapper will be face up when it progresses over the top radius and down the front.

While unit is swung outward, gum and mint section can be filled; gum and mint section is located behind shelf section. Open gum and mint door and load gum and mint into desired columns. Do not mix gum or mint in the same column. Gum and mint column closest to shelf section of machine is designated No. 1. Then progress in order up to column No. 4, which is farthest away from shelf section.

Lektro Vend

After filling gum and mint section, be sure to close gum and mint door before swinging unit into cabinet, otherwise gum and mint may be dumped. However, if this detail is overlooked, door will close automatically when unit is swung back into cabinet.

The gum and mint display items are now placed into their proper location. The display must correspond to the gum and mint columns. With door open, gum and mint display is located on left side of the display area. The gum and mint display must be swung out (54, figure 16 and 43, figure 17). It is held in place by tension spring (38, 29). After placing gum and mint merchandise into the proper places in display area, close display door, taking care not to disturb display items. At rear of each display there is a clip (58, 45) which provides spring tension on side walls of display area. After closing gum and mint display door, observe four holes at rear of display door. Push a pencil through each one of these four holes. This will move clip (58, 45) forward, pressing display merchandise tightly against glass, thereby providing a better looking display.

GENERAL MAINTENANCE

FINISH. The finish of your LEKTRO-VEND Machine is a baked-on enamel, which will provide an attractive, long-wearing surface. This finish is similar to automobile finishes, and should be treated in the same manner. Every few months clean and wax the machine to prolong the life of the paint and enhance the appearance. All unpainted parts are anodized aluminum, chrome plated or stainless steel. Clean these parts with a damp cloth.

LUBRICATION. Lubricate all moving parts in the machine every six to twelve months, depending upon the use of the machine. Do not lubricate rollers. If it becomes necessary to replace any mechanism part in the machine, be sure to lubricate it before installing it. Lubriplate is the recommended

lubricant. This lubricant will adhere to parts and does not tend to run. Oil can run and might get into the switches or other electrical parts and cause future problems.

TIMING OF VENDING UNIT

To check the timing of the machine you must do the following:

Look through hole 'A' in side of shelf unit, and observe drive assemblies for each shelf. Drive assemblies should be in such position that notches are visible through hole 'A', as shown in view 'A' of figures 3, 4, 5, and 6. At the same time, mint switch cam and mint switch roller should be positioned as shown in View 'B', figures 3, 4, 5, and 6. If shelf unit is out of time (not synchronized) with mint unit, it will cause a malfunction in shelf mechanism.

To time shelf unit with mint unit it is not necessary to remove the drive motor or mint unit. Just below hole 'A' as shown in figures 3, 4, 5, and 6, is the square drive shaft. Remove the shaft retaining bracket and slide the shaft out approximately one inch. This will disengage the square drive shaft from the drive motor located in the mint unit. Turn the shaft until it is synchronized as described above. Replace the shaft with a slight rocking motion to locate the square hole in the motor drive unit. Then replace the drive shaft retaining bracket.

MACHINE WARRANTY

GENERAL WARRANTY. Equipment produced by the Lektro-Vend Corporation is guaranteed to be free from defects in workmanship and material, and will be replaced or repaired without charge when, upon inspection, items are found to be defective. Said warranty to cover one year (12 months) from date of shipment. This warranty does not obligate us where parts or components have been injured by careless handling or improper application. This warranty is valid to the original purchaser only. The term

original purchaser as used in this warranty will be deemed to be that person, firm, association or corporation to whom the machine referred to herein was sold originally.

ORDERING PROCEDURE. When ordering parts, the cabinet serial number and machine model number must accompany the order. This will help insure your obtaining the proper part. When ordering be sure to include the quantity desired, part number, and description of the part being ordered. All parts must be ordered from Lektro-Vend Corp., P. O. Box 649, Sullivan Road, Aurora, Illinois 60507. All parts will be shipped FOB Aurora, Illinois. Cost of transportation will be offset by credit if the defective part is still under warranty and is returned within 10 days. Any special handling such as Air Mail Shipment, must be paid by purchaser.

RETURNING DEFECTIVE PARTS. Defective parts must be returned to Lektro-Vend Corp., 911 West Sullivan Road, Aurora, Illinois 60506, within 10 days after the receipt of the replacement part. If the part returned is found to be defective due to material or

workmanship and is still under warranty, credit will be issued. If the defective part is not returned within 10 days it will automatically be assumed that the item has been purchased by the customer.

DAMAGE IN SHIPMENT. Upon receipt of your equipment, it is your responsibility to note any visible damage to the outside of the crate that might affect the contents. This must be reported to the delivering carrier. Upon removal of the crate, if hidden damage is found, this also must be reported to the delivering carrier. We cannot be held responsible for damages incurred to the equipment while in transit. It is your responsibility to report any damage incurred while in transit to the delivering carrier. We will assist you in every way possible. To obtain full benefit under the Lektro-Vend Corp. Warranty, be sure to furnish the cabinet serial number and model number when returning any parts, ordering parts, or in any other correspondence. When returning defective parts, always return them the most economical way, unless advised otherwise.

Lektro Vend

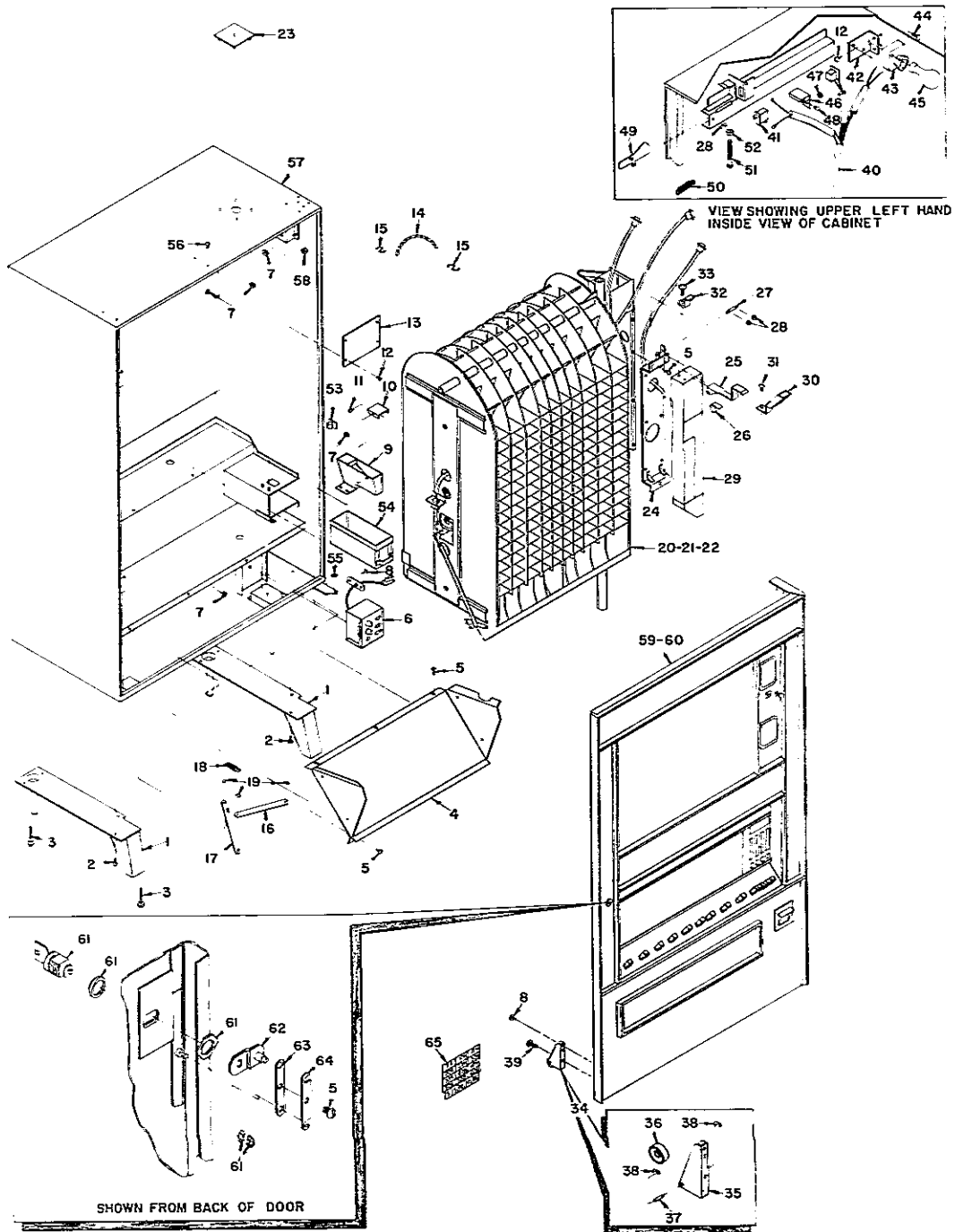


Figure 1 — MACHINE FINAL ASSEMBLY WITH MINT

| INDEX NO. | PART NO. | DESCRIPTION | QTY. PER ASSEM. |
|-----------|-------------|---|-----------------|
| 1 | 170-5025 | Cabinet Leg Assembly..... | 2 |
| 2 | S30C3118-12 | Screw And Lockwasher 5/16-18 x 3/4..... | 8 |
| 3 | 001-8007 | Leveler..... | 4 |
| 4 | 160-5252 | Delivery Tray Assembly..... | 1 |
| 5 | S20C832-5 | Screw And Lockwasher 8-32 x 5/16..... | 12 |

| INDEX NO. | PART NO. | DESCRIPTION | QTY. PER ASSEM. |
|-----------|------------|--|-----------------|
| 6 | 160-5275 | Junction Box Assembly..... | 1 |
| 7 | N20C832 | Nut And Lockwasher 8-32..... | 17 |
| 8 | S40C1016-6 | Screw 10-16 x 3/8..... | 3 |
| 9 | 170-5051 | Return Chute Assembly..... | 1 |
| 10 | 400-4184 | Coin Return Chute Cover..... | 1 |
| 11 | S39C620-4 | Screw 6-40 x 1/4..... | 2 |
| 12 | S40C818-6 | Screw 8-18 x 3/8..... | 4 |
| 13 | 160-4093 | Vent Cover..... | 1 |
| 14 | 160-8009 | Chain-Unit Stop..... | 1 |
| 15 | 160-8008 | "S" Hook-Unit Stop..... | 2 |
| 16 | 160-4088 | Outside Stop Arm..... | 1 |
| 17 | 160-5085 | Inside Stop Arm Assembly..... | 1 |
| 18 | 150-7005 | Tension Spring..... | 1 |
| 19 | R10K312X | Retaining Ring 5/16..... | 3 |
| 20 | 160-5130 | Unit Assembly — 10 Column..... | 0 to 1 |
| 21 | 163-5040 | Unit Assembly — 8 Column..... | 0 to 1 |
| 22 | 165-5055 | Unit Assembly — 11 Column..... | 0 to 1 |
| 23 | 160-5254 | Pivot Post Cover Assembly..... | 1 |
| 24 | 160-5058 | Mounting Bracket Weld Assembly..... | 1 |
| 25 | 150-5299 | Coin Return Lever Assembly..... | 1 |
| 26 | 170-7003 | Spring — Coin Return Lever..... | 1 |
| 27 | 001-6090 | Shaft..... | 1 |
| 28 | R10K250 | Retaining Ring 1/4..... | 2 |
| 29 | 351-5001 | Coin Changer And Chute Assembly..... | 1 |
| 30 | 150-5298 | Lower Coin Receiver Assembly..... | 1 |
| 31 | S20C832-4 | Screw And Lockwasher 8-32 x 1/4..... | 2 |
| 32 | 150-4055 | Retainer Bracket — Coinage..... | 1 |
| 33 | S41C832-5 | Screw 8-32 x 5/16..... | 1 |
| 34 | 150-5244 | Door Support Roller Assembly..... | 1 |
| 35 | 150-4270 | Door Support Roller Bracket..... | 1 |
| 36 | 150-3020 | Door Support Roller..... | 1 |
| 37 | 001-6120 | Pin (Door Support)..... | 1 |
| 38 | R10K250 | Retaining Ring 1/4..... | 2 |
| 39 | S20C2520-8 | Screw And Lockwasher 1/4-20 x 1/2..... | 2 |
| 40 | 160-5017 | Harness — Courtesy Lamp..... | 1 |
| 41 | 150-8214 | Switch Push Button..... | 1 |
| 42 | 150-4209 | Light Socket Bracket..... | 1 |
| 43 | 150-8029 | Lamp Holder..... | 1 |
| 44 | S20C832-12 | Screw And Lockwasher 8-32 x 3/4..... | 2 |
| 45 | 150-8030 | Incandescent Lamp — 40 Watt..... | 1 |
| 46 | 160-4078 | Switch Cover..... | 1 |
| 47 | S20C832-3 | Screw And Lockwasher 8-32 x 3/16..... | 1 |
| 48 | 001-8021 | Rubber Grommet..... | 1 |
| 49 | 150-5158 | Unit Lock Lever Assembly..... | 1 |
| 50 | 150-7003 | Tension Spring..... | 1 |
| 51 | 150-8008 | Adjusting Screw..... | 1 |
| 52 | N22C3716 | Nut 3/8-16..... | 1 |
| 53 | 400-8056 | Wire Clamp 1/2"..... | 2 |
| 54 | 102-5187 | Cash Box Assembly..... | 1 |
| 55 | 150-8252 | Bottom Hinge Bearing..... | 1 or 2 |
| 56 | S11C832-5 | Screw 8-32 x 5/16..... | 6 |
| 57 | 170-5005 | Cabinet Weld Assembly..... | 1 |
| 58 | N20C2520 | Nut And Lockwasher 1/4-20..... | 4 |
| 59 | 170-5001 | Door Assembly..... | 0 or 1 |
| 60 | 170-5002 | Door Assembly — Rowe Award..... | 0 or 1 |
| 61 | 112-8025 | Van Lock And Key..... | 1 |
| 62 | 112-5060 | Lock Cam..... | 1 |
| 63 | 001-4157 | Lock Cam Link..... | 1 |
| 64 | 001-4177 | Lock Cam Link Retainer..... | 1 |
| 65 | 001-8117 | Price Card..... | 8 to 11 |

Figure 1 — MACHINE FINAL ASSEMBLY WITH MINT

Lektro Vend

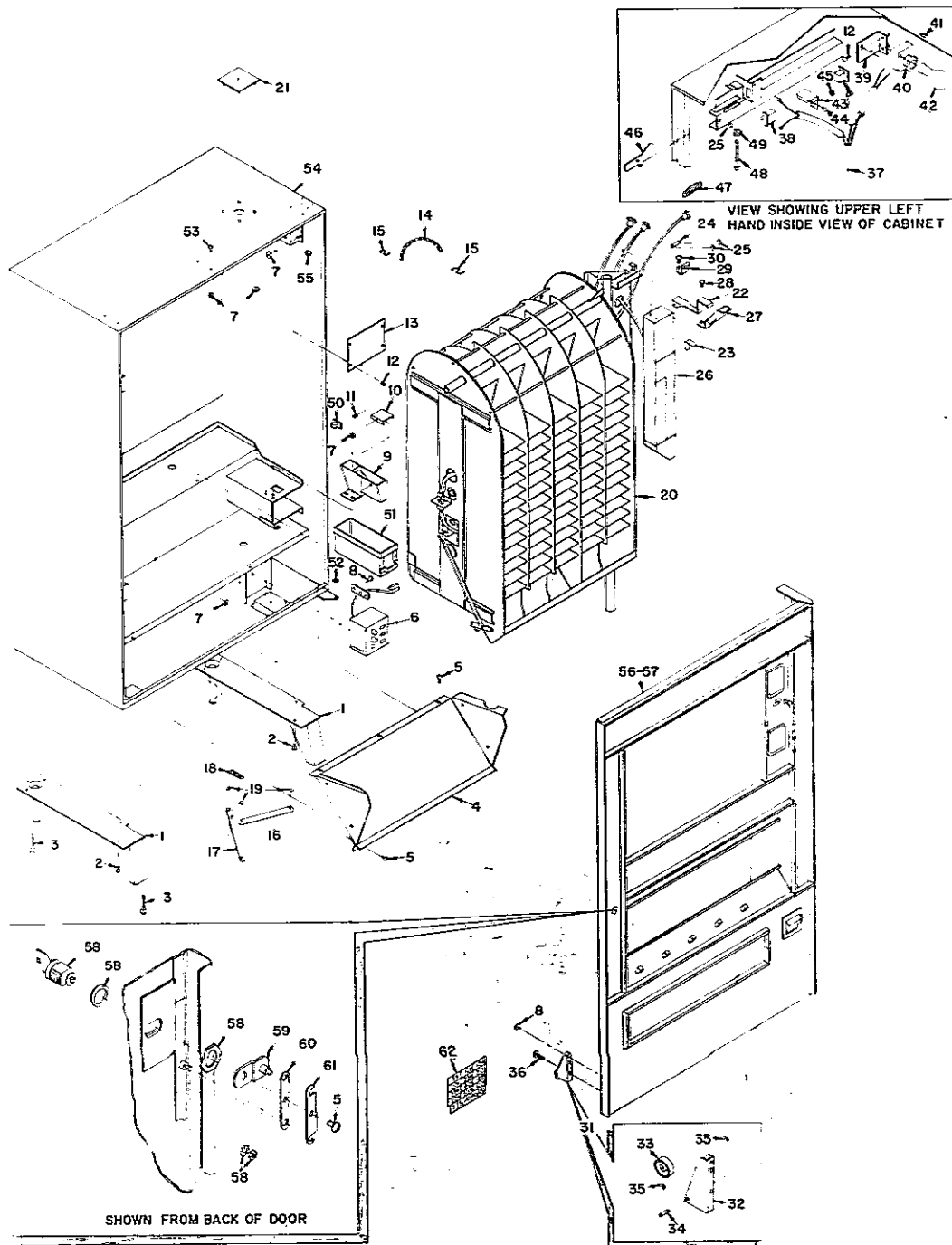


Figure 2 — MACHINE FINAL ASSEMBLY WITHOUT MINT

| INDEX NO. | PART NO. | DESCRIPTION | QTY. PER ASSEM. |
|-----------|-------------|---|-----------------|
| 1 | 170-5025 | Cabinet Leg Assembly..... | 2 |
| 2 | S30C3118-12 | Screw And Lockwasher 5/16-18 x 3/4..... | 8 |
| 3 | 001-8007 | Leveler..... | 4 |
| 4 | 160-5252 | Delivery Tray Assembly..... | 1 |
| 5 | S20C832-5 | Screw And Lockwasher 8-32 x 5/16..... | 12 |
| 6 | 160-5275 | Junction Box Assembly..... | 1 |
| 7 | N20C832 | Nut And Lockwasher 8-32..... | 17 |
| 8 | S40C1016-6 | Screw 10-16 x 3/8..... | 3 |
| 9 | 170-5051 | Return Chute Assembly..... | 1 |
| 10 | 400-4184 | Coin Return Chute Cover..... | 1 |
| 11 | S39C620-4 | Screw 6-40 x 1/4..... | 2 |
| 12 | S40C818-6 | Screw 8-18 x 3/8..... | 4 |
| 13 | 160-4093 | Vent Cover..... | 1 |
| 14 | 160-8009 | Chain-Unit Stop..... | 1 |
| 15 | 160-8008 | "S" Hook-Unit Stop..... | 2 |
| 16 | 160-4088 | Outside Stop Arm..... | 1 |
| 17 | 160-5085 | Inside Stop Arm Assembly..... | 1 |
| 18 | 150-7005 | Tension Spring..... | 1 |
| 19 | R10K312X | Retaining Ring 5/16..... | 3 |
| 20 | 162-5060 | Unit Assembly — 5 Column (No Mint)..... | 1 |
| 21 | 160-5254 | Pivot Post Cover Assembly..... | 1 |
| 22 | 150-5299 | Coin Return Lever Assembly..... | 1 |
| 23 | 170-7003 | Spring — Coin Return Lever..... | 1 |
| 24 | 001-6090 | Shaft..... | 1 |
| 25 | R10K250 | Retaining Ring 1/4..... | 2 |
| 26 | 351-5001 | Coin Changer And Chute Assembly..... | 1 |
| 27 | 150-5298 | Lower Coin Receiver Assembly..... | 1 |
| 28 | S20C832-4 | Screw And Lockwasher 8-32 x 1/4..... | 2 |
| 29 | 150-4055 | Retainer Bracket — Coinage..... | 1 |
| 30 | S41C832-5 | Screw 8-32 x 5/16..... | 1 |
| 31 | 150-5244 | Door Support Roller Assembly..... | 1 |
| 32 | 150-4270 | Door Support Roller Bracket..... | 1 |
| 33 | 150-3020 | Door Support Roller..... | 1 |
| 34 | 001-6120 | Pin (Door Support)..... | 1 |
| 35 | R10K250 | Retaining Ring 1/4..... | 2 |
| 36 | S20C2520-8 | Screw And Lockwasher 1/4-20 x 1/2..... | 2 |
| 37 | 160-5017 | Harness — Courtesy Lamp..... | 1 |
| 38 | 150-8214 | Switch Push Button..... | 1 |
| 39 | 150-4209 | Light Socket Bracket..... | 1 |
| 40 | 150-8029 | Lamp Holder..... | 1 |
| 41 | S20C832-12 | Screw And Lockwasher 8-32 x 3/4..... | 2 |
| 42 | 150-8030 | Incandescent Lamp — 40 W..... | 1 |
| 43 | 160-4078 | Switch Cover..... | 1 |
| 44 | S20C832-3 | Screw And Lockwasher 8-32 x 3/16..... | 1 |
| 45 | 001-8021 | Rubber Grommet..... | 1 |
| 46 | 150-5158 | Unit Lock Lever Assembly..... | 1 |
| 47 | 150-7003 | Tension Spring..... | 1 |
| 48 | 150-8008 | Adjusting Screw..... | 1 |
| 49 | N22C3716 | Nut 3/8-16..... | 1 |
| 50 | 400-8056 | Wire Clamp 1/2"..... | 2 |
| 51 | 102-5187 | Cash Box Assembly..... | 1 |
| 52 | 150-8252 | Bottom Hinge Bearing..... | 1 or 2 |
| 53 | S11C832-5 | Screw 8-32 x 5/16..... | 6 |
| 54 | 170-5005 | Cabinet Weld Assembly..... | 1 |
| 55 | N20C2520 | Nut And Lockwasher 1/4-20..... | 4 |
| 56 | 170-5001 | Door Assembly — No Mint..... | 0 or 1 |
| 57 | 170-5002 | Door Assembly Rowe Award — No Mint..... | 0 or 1 |
| 58 | 112-8025 | Van Lock And Key..... | 1 |
| 59 | 112-5060 | Lock Cam..... | 1 |
| 60 | 001-4157 | Lock Cam Link..... | 1 |
| 61 | 001-4177 | Lock Cam Link Retainer..... | 1 |
| 62 | 001-8117 | Price Card..... | 5 |

Figure 2 — MACHINE FINAL ASSEMBLY WITHOUT MINT

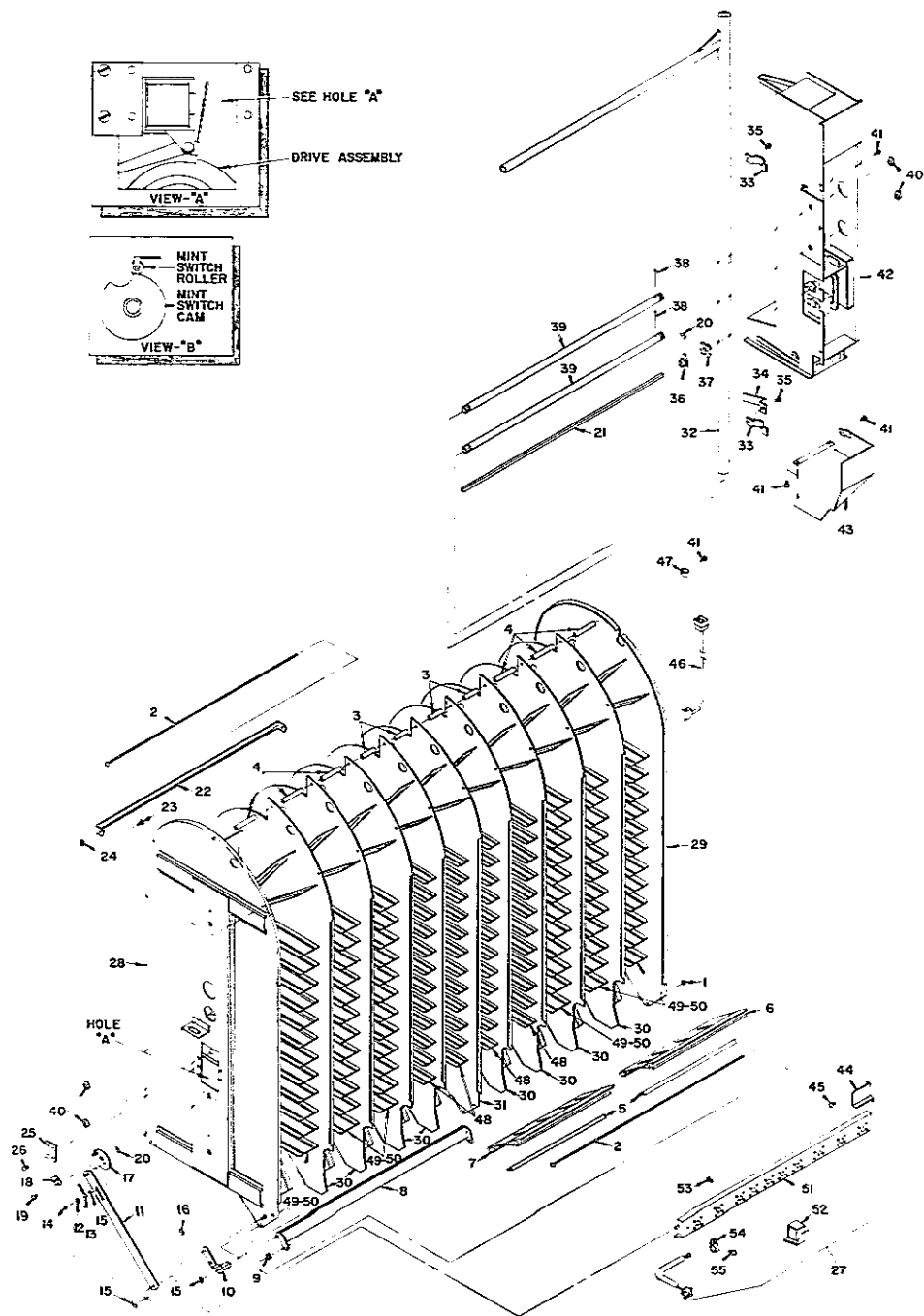


Figure 3 — UNIT ASSEMBLY — 10 COLUMN

| INDEX NO. | PART NO. | DESCRIPTION | QTY. PER ASSEM. |
|-----------|----------|-------------------------------|-----------------|
| 1 | N20C1032 | Nut And Lockwasher 10-32..... | 5 |
| 2 | 150-8010 | Screw | 5 |
| 3 | 001-6034 | Column Spacer 2"..... | 12 |
| 4 | 001-6035 | Column Spacer 3"..... | 18 |

| INDEX NO. | PART NO. | DESCRIPTION | QTY. PER ASSEM. |
|-----------|------------|--|-----------------|
| 5 | 160-4114 | Display Shelf Reinforcement..... | 2 |
| 6 | 160-3002 | Display Shelf — Right Hand..... | 1 |
| 7 | 160-3003 | Display Shelf — Left Hand..... | 1 |
| 8 | 160-5128 | Torsion Bar..... | 1 |
| 9 | 001-6018 | Spacer..... | 2 |
| 10 | 160-5126 | Drive Link Assembly..... | 1 |
| 11 | 160-5124 | Drive Arm Assembly..... | 1 |
| 12 | 350-6048 | Roller — Tension Spring..... | 1 |
| 13 | 160-7000 | Tension Spring..... | 1 |
| 14 | R10K187 | Retainer Ring 3/16..... | 1 |
| 15 | R10K250 | Retainer Ring 1/4..... | 3 |
| 16 | R10K312X | Retainer Ring 5/16..... | 1 |
| 17 | 160-5123 | Drive Cam Assembly..... | 1 |
| 18 | 160-4147 | Shaft Retainer (Unit Anti-Cheat)..... | 1 |
| 19 | S20C832-4 | Screw And Lockwasher 8-32 x 1/4..... | 1 |
| 20 | R13K562 | Retainer Ring 9/16..... | 2 |
| 21 | 160-6003 | Drive Shaft..... | 1 |
| 22 | 160-4117 | Spacer Bar..... | 1 |
| 23 | S11C832-5 | Screw 8-32 x 5/16..... | 2 |
| 24 | N20C832 | Nut And Lockwasher 8-32..... | 2 |
| 25 | 160-4123 | Left Hand Support — Relay Channel..... | 1 |
| 26 | S20C1032-5 | Screw And Lockwasher 10-32 x 5/16..... | 2 |
| 27 | 160-5132 | Unit Wiring Harness Assembly..... | 1 |
| 28 | 170-5049 | Left Hand Unit Side Assembly..... | 1 |
| 29 | 170-5048 | Right Hand Unit Side Assembly..... | 1 |
| 30 | 160-4134 | Column Side..... | 8 |
| 31 | 160-4133 | Center Spacer (Column)..... | 1 |
| 32 | 160-5107 | Pivot Post Assembly..... | 1 |
| 33 | 160-4120 | Unit Clamps..... | 5 |
| 34 | 160-4366 | Gum Deflector..... | 1 |
| 35 | S30C2520-6 | Screw And Lockwasher 1/4-20 x 3/8..... | 5 |
| 36 | 150-5416 | Coupling And Drive Bushing Assembly..... | 1 |
| 37 | 150-4035 | Coupling Plate..... | 1 |
| 38 | P10K250-28 | Roll Pin 1/4 x 1-3/4..... | 2 |
| 39 | 150-6002 | Tube..... | 2 |
| 40 | 001-8005 | 3/4 Hex Nut..... | 4 |
| 41 | S20C832-5 | Screw And Lockwasher 8-32 x 5/16..... | 6 |
| 42 | 160-5090 | Mint Unit Assembly..... | 1 |
| 43 | 160-5093 | Mint Chute Assembly..... | 1 |
| 44 | 160-4132 | Guide Bracket — Relay Channel..... | 1 |
| 45 | S40C620-3 | Screw 6-20 x 3/16..... | 3 |
| 46 | 165-5133 | Unit Extension Wiring Harness..... | 1 |
| 47 | 001-8017 | Wire Clamp 1/2"..... | 1 |
| 48 | 160-5120 | Column Assembly 2" -55..... | 4 |
| 49 | 160-5121 | Column Assembly 3" -55..... | 0 to 6 |
| 50 | 160-5122 | Column Assembly 3" -43..... | 0 to 6 |
| 51 | 160-5131 | Relay Channel Assembly..... | 1 |
| 52 | 001-5479 | Relay Assembly..... | 10 |
| 53 | S20C832-4 | Screw And Lockwasher 8-32 x 1/4..... | 20 |
| 54 | 001-8017 | Wire Clamp 1/2"..... | 1 |
| 55 | S40C1016-6 | Screw 10-16 x 3/8..... | 1 |

Figure 3 — UNIT ASSEMBLY — 10 COLUMN

Lektro Vend

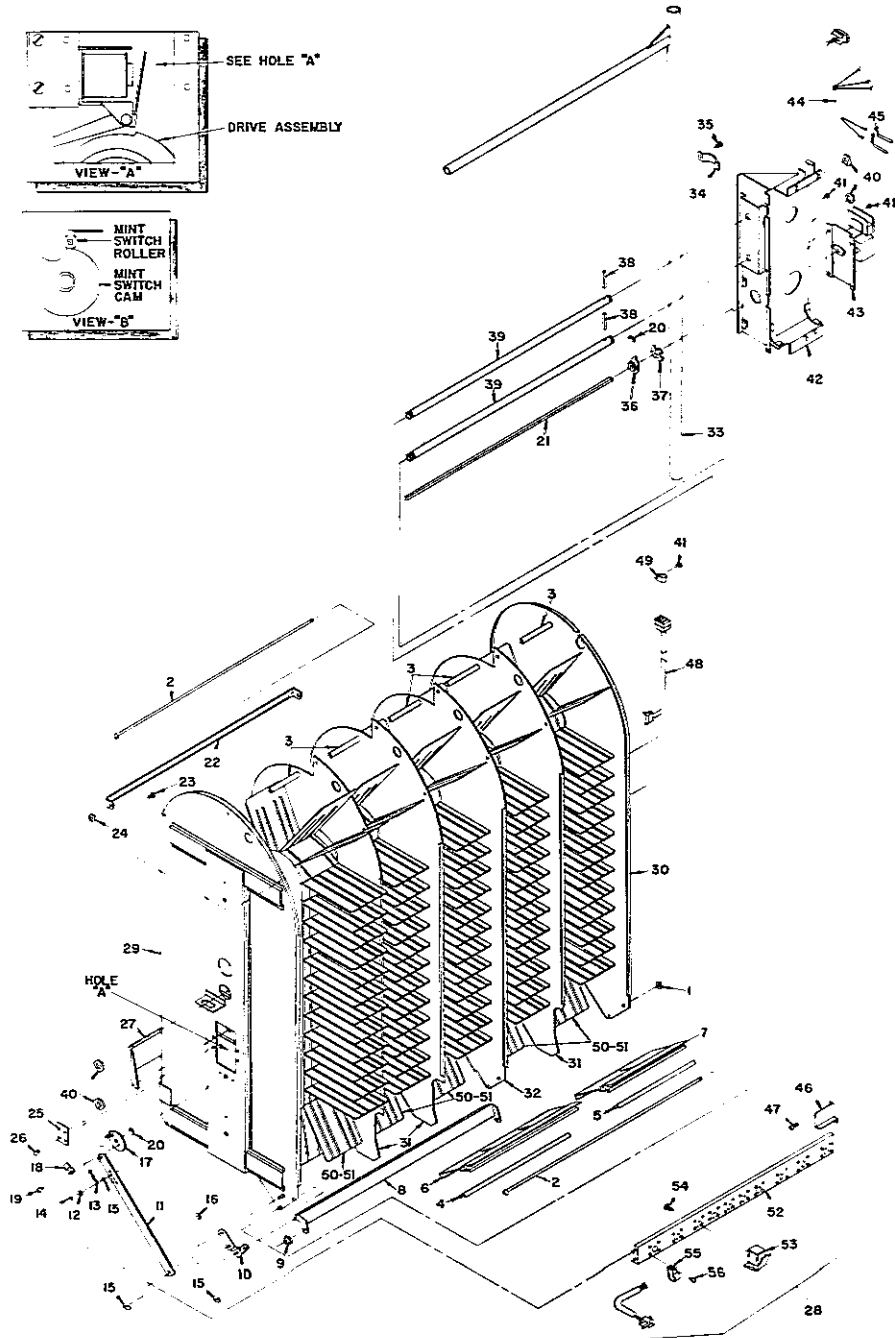


Figure 4 — UNIT ASSEMBLY — 5 COLUMN — NO MINT

| INDEX NO. | PART NO. | DESCRIPTION | QTY. PER ASSEM. |
|-----------|----------|--|-----------------|
| 1 | N20C1032 | Nut And Lockwasher 10-32..... | 5 |
| 2 | 152-8010 | Screw 10-32 | 5 |
| 3 | 001-6036 | Column Spacer 5"..... | 15 |
| 4 | 162-4013 | Display Shelf Reinforcement (Long)..... | 1 |
| 5 | 162-4014 | Display Shelf Reinforcement (Short)..... | 1 |

| INDEX NO. | PART NO. | DESCRIPTION | QTY. PER ASSEM. |
|-----------|------------|--|-----------------|
| 6 | 162-3005 | Display Shelf — Right Hand..... | 1 |
| 7 | 162-3006 | Display Shelf — Left Hand..... | 1 |
| 8 | 162-5057 | Torsion Bar..... | 1 |
| 9 | 001-6018 | Spacer..... | 2 |
| 10 | 160-5126 | Drive Link Assembly..... | 1 |
| 11 | 160-5124 | Drive Arm Assembly..... | 1 |
| 12 | 350-6048 | Roller Tension Spring..... | 1 |
| 13 | 160-7000 | Tension Spring..... | 1 |
| 14 | R10K187 | Retainer Ring 3/16..... | 1 |
| 15 | R10K250 | Retainer Ring 1/4..... | 3 |
| 16 | R10K312X | Retainer Ring 5/16..... | 1 |
| 17 | 160-5123 | Drive Cam Assembly..... | 1 |
| 18 | 160-4147 | Shaft Retainer (Unit Anti-Cheat)..... | 1 |
| 19 | S20C832-4 | Screw And Lockwasher 8-32 x 1/4..... | 1 |
| 20 | R13K562 | Retainer Ring 9/16..... | 2 |
| 21 | 162-6003 | Drive Shaft..... | 1 |
| 22 | 162-4117 | Spacer Bar..... | |
| 23 | S11C832-5 | Screw 8-32 x 5/16..... | 2 |
| 24 | N20C832 | Nut And Lockwasher 8-32..... | 2 |
| 25 | 160-4123 | Left Hand Support — Relay Channel..... | 1 |
| 26 | S20C1032-5 | Screw And Lockwasher 10-32 x 5/16..... | 2 |
| 27 | 162-4033 | Stop Plate — Rear..... | 0 to 1 |
| 28 | 162-5132 | Unit Wiring Harness Assembly..... | 1 |
| 29 | 170-5049 | Left Hand Unit Side Assembly..... | 1 |
| 30 | 170-5048 | Right Hand Unit Side Assembly..... | 1 |
| 31 | 160-4134 | Column Side..... | 3 |
| 32 | 160-4133 | Center Spacer (Column)..... | 1 |
| 33 | 160-5107 | Pivot Post Assembly..... | 1 |
| 34 | 160-4120 | Unit Clamps..... | 5 |
| 35 | S30C2520-6 | Screw And Lockwasher 1/4-20 x 3/8..... | 5 |
| 36 | 150-5416 | Coupling And Drive Bushing Assembly..... | 1 |
| 37 | 150-4035 | Coupling Plate..... | 1 |
| 38 | P10K250-28 | Roll Pin 1/4 x 1-3/4..... | 2 |
| 39 | 152-6002 | Tube..... | 2 |
| 40 | 001-8005 | 3/4 Hex Nut..... | 4 |
| 41 | S20C832-5 | Screw And Lockwasher 8-32 x 5/16..... | 6 |
| 42 | 162-5067 | Motor And Changer Support..... | 1 |
| 43 | 162-5065 | Motor And Switch Assembly..... | 1 |
| 44 | 162-5066 | Motor Wiring Harness Assembly..... | 1 |
| 45 | 001-8049 | Disconnect Splice..... | 2 |
| 46 | 160-4132 | Guide Bracket — Relay Channel..... | 1 |
| 47 | S40C620-3 | Screw 6-20 x 3/16..... | 3 |
| 48 | 165-5133 | Unit Extension Wiring Harness..... | 1 |
| 49 | 001-8017 | Wire Clamp 1/2"..... | 1 |
| 50 | 162-5050 | Column Assembly 5" -43..... | 0 to 5 |
| 51 | 162-5051 | Column Assembly 5" -31..... | 0 to 5 |
| 52 | 162-5131 | Relay Channel Assembly..... | 1 |
| 53 | 001-5479 | Relay Assembly..... | 5 |
| 54 | S20C832-4 | Screw And Lockwasher 8-32 x 1/4..... | 10 |
| 55 | 001-8017 | Wire Clamp 1/2"..... | 1 |
| 56 | S40C1016-6 | Screw 10-16 x 3/8..... | 1 |

Figure 4 — UNIT ASSEMBLY — 5 COLUMN — NO MINT

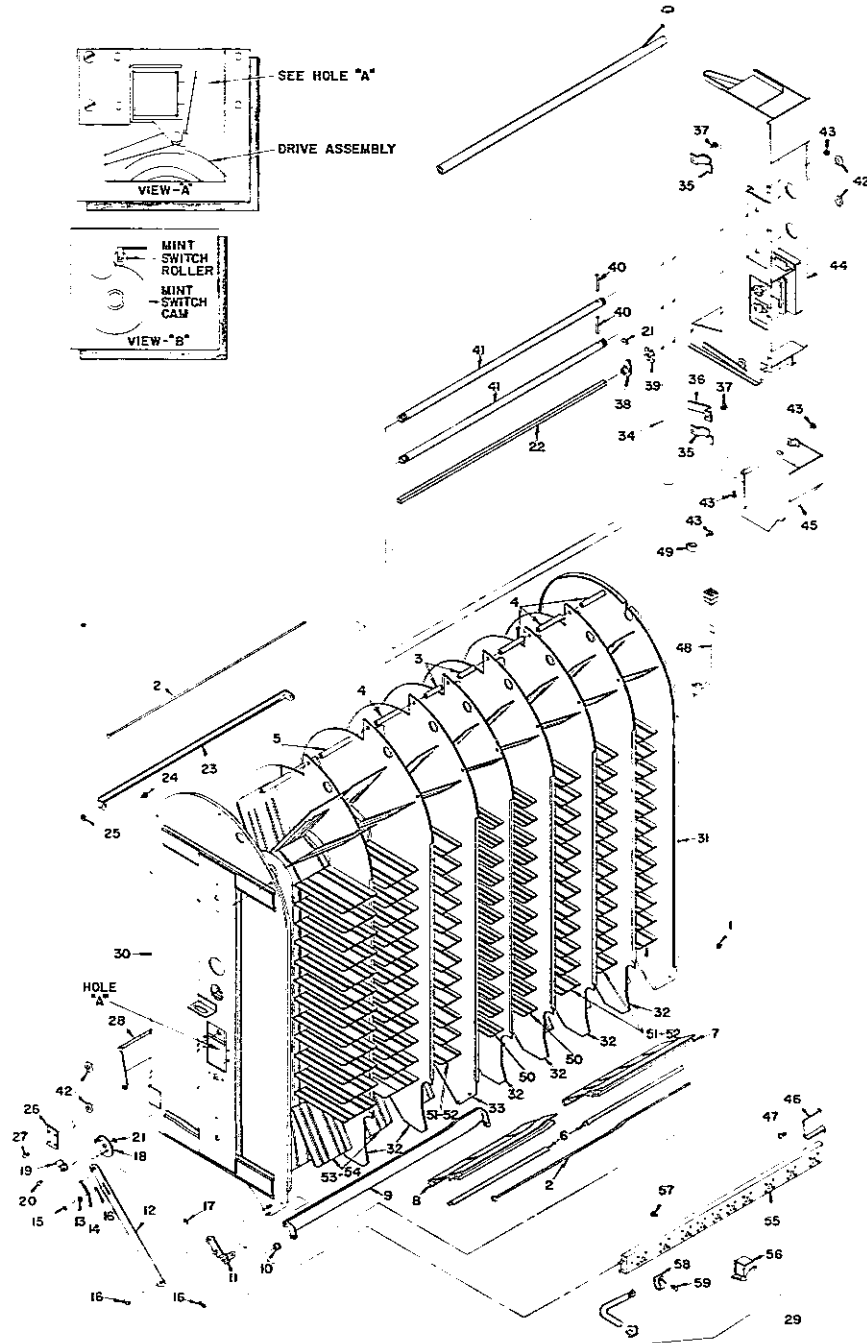


Figure 5 — UNIT ASSEMBLY — 8 COLUMN

| INDEX NO. | PART NO. | DESCRIPTION | QTY. PER ASSEM. |
|-----------|------------|--|-----------------|
| 1 | N20C1032 | Nut And Lockwasher 10-32..... | 5 |
| 2 | 150-8010 | Screw 10-32..... | 5 |
| 3 | 001-6034 | Column Spacer 2"..... | 6 |
| 4 | 001-6035 | Column Spacer 3"..... | 12 |
| 5 | 001-6036 | Column Spacer 5"..... | 6 |
| 6 | 160-4114 | Display Shelf Reinforcement..... | 2 |
| 7 | 160-3002 | Display Shelf — Right Hand..... | 1 |
| 8 | 161-3003 | Display Shelf — Left Hand..... | 1 |
| 9 | 160-5128 | Torsion Bar..... | 1 |
| 10 | 001-6018 | Spacer..... | 2 |
| 11 | 160-5126 | Drive Link Assembly..... | 1 |
| 12 | 160-5124 | Drive Arm Assembly..... | 1 |
| 13 | 350-6048 | Roller — Tension Spring..... | 1 |
| 14 | 160-7000 | Tension Spring..... | 1 |
| 15 | R10K187 | Retainer Ring 3/16..... | 1 |
| 16 | R10K250 | Retainer Ring 1/4..... | 1 |
| 17 | R10K312X | Retainer Ring 5/16..... | 1 |
| 18 | 160-5123 | Drive Cam Assembly..... | 1 |
| 19 | 160-4147 | Shaft Retainer (Unit Anti-Cheat)..... | 1 |
| 20 | S20C832-4 | Screw And Lockwasher 8-32 x 1/4..... | 1 |
| 21 | R13K562 | Retainer Ring 9/16..... | 2 |
| 22 | 160-6003 | Drive Shaft..... | 1 |
| 23 | 160-4117 | Spacer Bar..... | 1 |
| 24 | S11C832-5 | Screw 8-32 x 5/16..... | 2 |
| 25 | N20C832 | Nut And Lockwasher 8-32..... | 2 |
| 26 | 160-4123 | Left Hand Support — Relay Channel..... | 1 |
| 27 | S20C1032-5 | Screw And Lockwasher 10-32 x 5/16..... | 2 |
| 28 | 160-4130 | Stop Plate — Rear..... | 0 to 1 |
| 29 | 160-5132 | Unit Wiring Harness Assembly..... | 1 |
| 30 | 170-5049 | Left Hand Unit Side Assembly..... | 1 |
| 31 | 170-5048 | Right Hand Unit Side Assembly..... | 1 |
| 32 | 160-4134 | Column Side..... | 6 |
| 33 | 160-4133 | Center Spacer (Column)..... | 1 |
| 34 | 160-5107 | Pivot Post Assembly..... | 1 |
| 35 | 160-4120 | Unit Clamps..... | 5 |
| 36 | 160-4366 | Gum Deflector..... | 1 |
| 37 | S30C2520-6 | Screw And Lockwasher 1/4-20 x 3/8..... | 5 |
| 38 | 150-5416 | Coupling And Drive Bushing Assembly..... | 1 |
| 39 | 150-4035 | Coupling Plate..... | 1 |
| 40 | P10K250-28 | Roll Pin 1/4 x 1-3/8..... | 2 |
| 41 | 150-6002 | Tube..... | 2 |
| 42 | 001-8005 | 3/4 Hex Nut..... | 4 |
| 43 | S20C832-5 | Screw And Lockwasher 8-32 x 5/16..... | 6 |
| 44 | 160-5090 | Mint Unit Assembly..... | 1 |
| 45 | 160-5093 | Mint Chute Assembly..... | 1 |
| 46 | 160-4132 | Guide Bracket — Relay Channel..... | 1 |
| 47 | S40C620-3 | Screw 6-20 x 3/16..... | 3 |
| 48 | 165-5133 | Unit Extension Wiring Harness..... | 1 |
| 49 | 001-8017 | Wire Clamp 1/2"..... | 1 |
| 50 | 160-5120 | Column Assembly 2" -55..... | 2 |
| 51 | 160-5121 | Column Assembly 3" -55..... | 0 to 4 |
| 52 | 160-5122 | Column Assembly 3" -43..... | 0 to 4 |
| 53 | 162-5050 | Column Assembly 5" -43..... | 0 to 2 |
| 54 | 162-5051 | Column Assembly 5" -31..... | 0 to 2 |
| 55 | 163-5131 | Relay Channel Assembly..... | 1 |
| 56 | 001-5479 | Relay Assembly..... | 8 |
| 57 | S20C832-4 | Screw And Lockwasher 8-32 x 1/4..... | 16 |
| 58 | 001-8017 | Wire Clamp 1/2"..... | 1 |
| 59 | S40C1016-6 | Screw 10-16 x 3/8..... | 1 |

Figure 5 — UNIT ASSEMBLY — 8 COLUMN

Lektro Vend

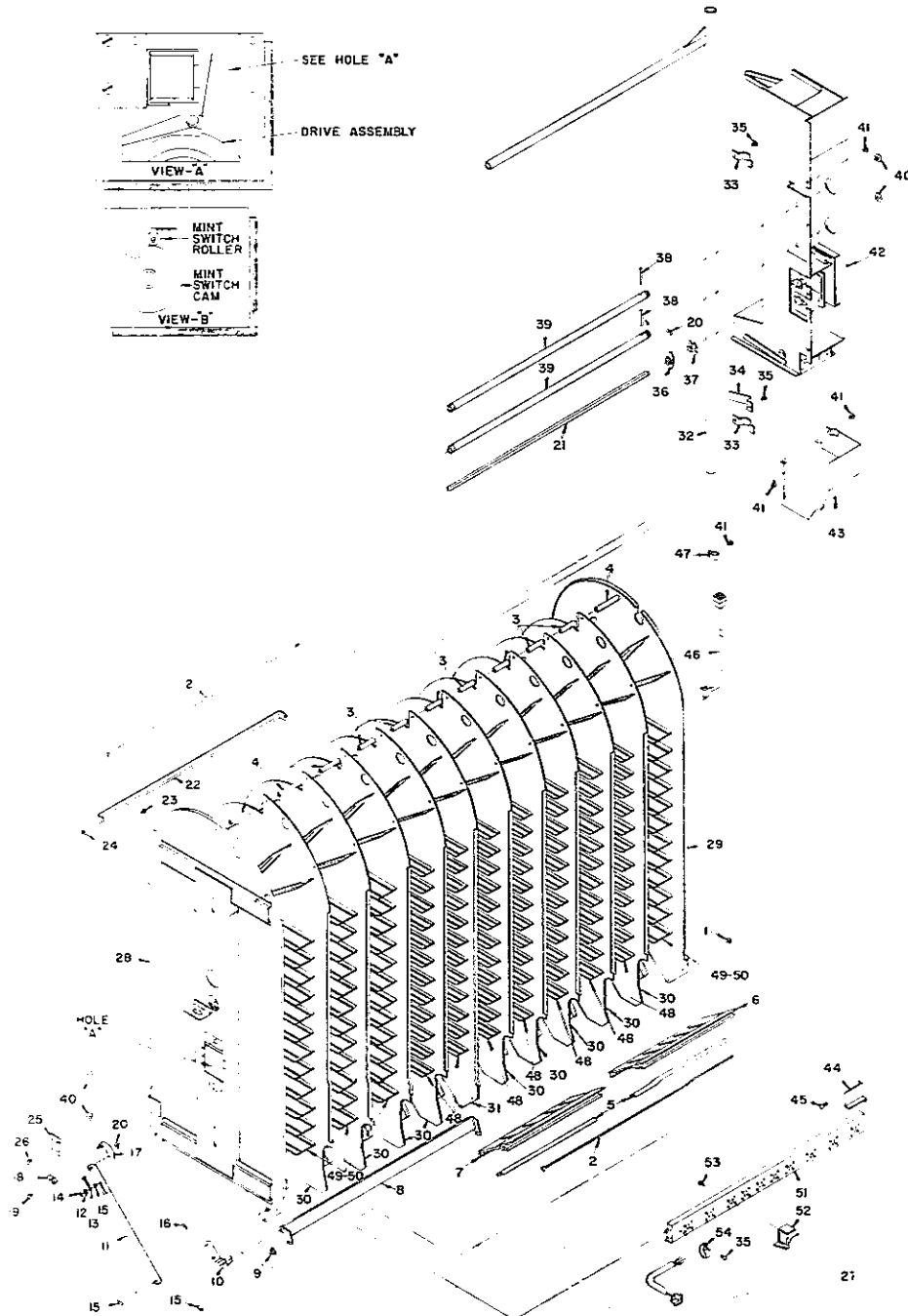


Figure 6 — UNIT ASSEMBLY — 11 COLUMN

| INDEX NO. | PART NO. | DESCRIPTION | QTY. PER ASSEM. |
|--------------|-------------|--|-----------------------|
| 1 | N20C1032 | Nut And Lockwasher 10-32..... | 5 |
| 2 | 150-8010 | Screw 10-32..... | 5 |
| 3 | 001-6034 | Column Spacer 2"..... | 21 |
| 4 | 001-6035 | Column Spacer 3"..... | 12 |
| 5 | 160-4114 | Display Shelf Reinforcement..... | 2 |
| 6 | 165-3000 | Display Shelf — Right Hand..... | 1 |
| 7 | 160-3003 | Display Shelf — Left Hand..... | 1 |
| 8 | 160-5128 | Torsion Bar..... | 1 |
| 9 | 001-6018 | Spacer..... | 2 |
| 10 | 160-5126 | Drive Link Assembly..... | 1 |
| 11 | 160-5124 | Drive Arm Assembly..... | 1 |
| 12 | 350-6048 | Roller — Tension Spring..... | 1 |
| 13 | 160-7000 | Tension Spring..... | 1 |
| 14 | R10K187 | Retainer Ring 3/16..... | 1 |
| 15 | R10K250 | Retainer Ring 1/4..... | 3 |
| 16 | R10K312X | Retainer Ring 5/16..... | 1 |
| 17 | 160-5123 | Drive Cam Assembly..... | 1 |
| 18 | 160-4147 | Shaft Retainer (Unit Anti-Cheat)..... | 1 |
| 19 | S20C832-4 | Screw And Lockwasher 8-32 x 1/4..... | 1 |
| 20 | R13K562 | Retainer Ring 9/16..... | 2 |
| 21 | 160-6003 | Drive Shaft..... | 1 |
| 22 | 160-4117 | Spacer Bar..... | 1 |
| 23 | S11C832-5 | Screw 8-32 x 5/16..... | 2 |
| 24 | N20C832 | Nut And Lockwasher 8-32..... | 2 |
| 25 | 160-4123 | Left Hand Support — Relay Channel..... | 1 |
| 26 | S20C1032-5 | Screw And Lockwasher 10-32 x 5/16..... | 2 |
| 27 | 160-5132 | Unit Wiring Harness Assembly..... | 1 |
| 28 | 170-5049 | Left Hand Unit Side Assembly..... | 1 |
| 29 | 170-5048 | Right Hand Unit Side Assembly..... | 1 |
| 30 | 160-4134 | Column Side..... | 9 |
| 31 | 160-4133 | Center Spacer (Column)..... | 1 |
| 32 | 160-5107 | Pivot Post Assembly..... | 1 |
| 33 | 160-4120 | Unit Clamps..... | 5 |
| 34 | 160-4366 | Gum Deflector..... | 1 |
| 35 | S30C2520-6 | Screw And Lockwasher 1/4-20 x 3/8..... | 5 |
| 36 | 150-5416 | Coupling And Drive Bushing Assembly..... | 1 |
| 37 | 150-4035 | Coupling Plate..... | 1 |
| 38 | P10K250-28 | Roll Pin 1/4 x 1-3/4..... | 2 |
| 39 | 150-6002 | Tube..... | 2 |
| 40 | 001-8005 | 3/4 Hex Nut..... | 4 |
| 41 | S20C832-5 | Screw And Lockwasher 8-32 x 5/16..... | 6 |
| 42 | 160-5090 | Mint Unit Assembly..... | 1 |
| 43 | 160-5093 | Mint Chute Assembly..... | 1 |
| 44 | 160-4132 | Guide Bracket — Relay Channel..... | 1 |
| 45 | S40C620-3 | Screw 6-20 x 3/16..... | 3 |
| 46 | 165-5133 | Unit Extension Wiring Harness..... | 1 |
| 47 | 001-8017 | Wire Clamp 1/2"..... | 1 |
| 48 | 160-5120 | Column Assembly 2" - 55..... | 7 |
| 49 | 160-5121 | Column Assembly 3" - 55..... | 0 to 4 |
| 50 | 160-5122 | Column Assembly 3" - 43..... | 0 to 4 |
| 51 | 160-5131 | Relay Channel Assembly..... | 1 |
| 52 | 001-6479 | Relay Assembly..... | 11 |
| 53 | S20C832-4 | Screw And Lockwasher 8-32 x 1/4..... | 22 |
| 54 | 001-8017 | Wire Clamp 1/2"..... | 1 |
| 55 | S40C1016-6 | Screw 10-16 x 3/8..... | 1 |

Figure 6 — UNIT ASSEMBLY — 11 COLUMN

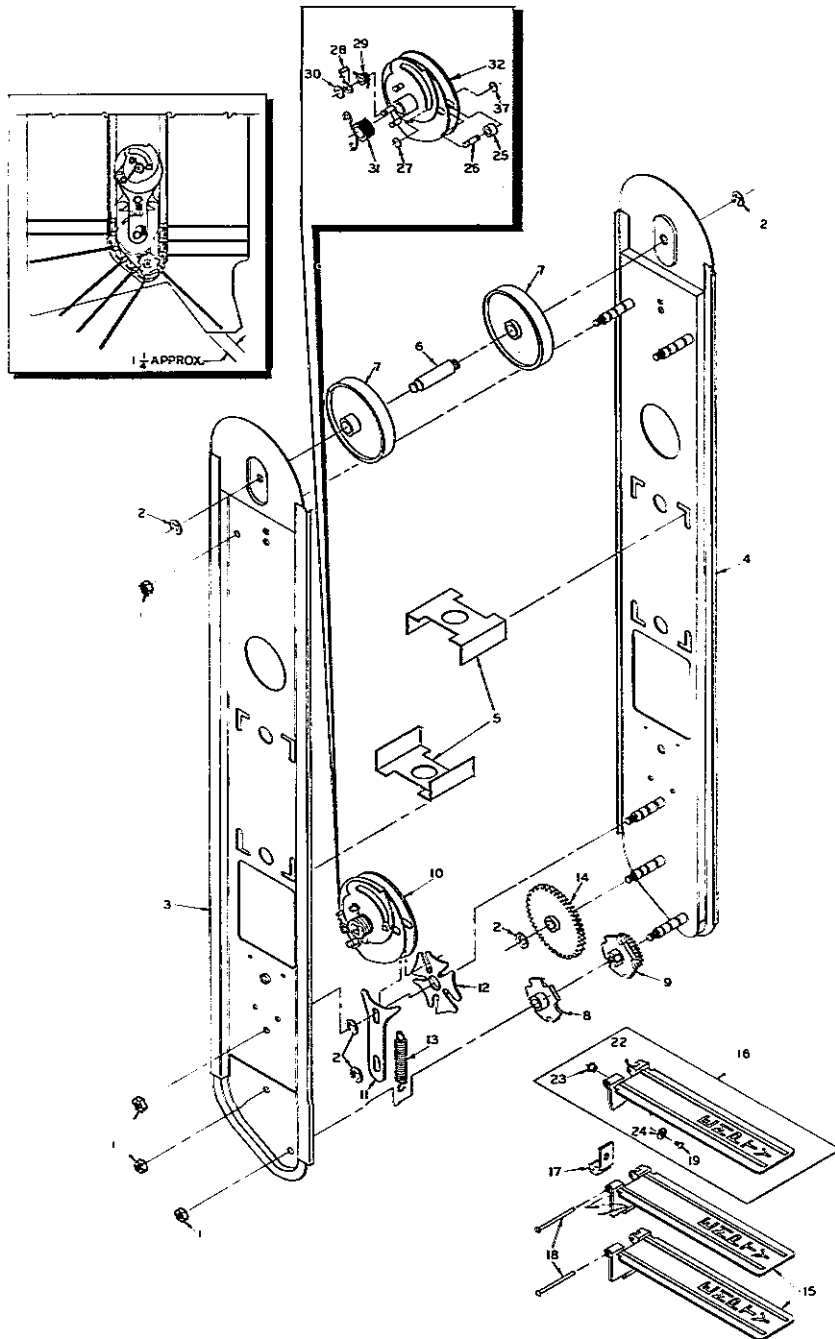


Figure 7 — COLUMN ASSEMBLY 2" - 55

| INDEX NO. | PART NO. | DESCRIPTION | QTY. PER ASSEM. |
|-----------|-----------|---|-----------------|
| 1 | N20C2528 | Nut And Lockwasher 1/4-28..... | 5 |
| 2 | R10K375 | Retaining Ring 3/8..... | 5 |
| 3 | 160-5111 | Track Assembly — Left Hand 2"..... | 1 |
| 4 | 160-5110 | Track Assembly — Right Hand 2"..... | 1 |
| 5 | 001-4013 | Spacer 2"..... | 2 |
| 6 | 160-6006 | Shaft Roller 2"..... | 1 |
| 7 | 160-3015 | Top Roller..... | 2 |
| 8 | 160-3008 | Sprocket 2"..... | 1 |
| 9 | 160-3007 | Sprocket And 26 Tooth Gear 2" And 3"..... | 1 |
| 10 | 170-5057 | Drive Assembly..... | 1 |
| 11 | 001-5473 | Lock Plate Assembly..... | 1 |
| 12 | 170-5055 | Index Wheel And Gear Assembly..... | 1 |
| 13 | 001-7002 | Tension Spring..... | 1 |
| 14 | 170-3001 | Idler Gear — 50 Tooth..... | 1 |
| 15 | 160-3000 | Shelf 2"..... | 54 |
| 16 | 160-5115 | Connector Shelf Assembly 2"..... | 1 |
| 17 | 160-2007 | Shelf Link 2"..... | 1 |
| 18 | 160-8015 | Rivet Shelf 2"..... | 55 |
| 19 | S11C832-5 | Screw 8-32 x 5/16..... | 1 |
| 22 | 160-3022 | Connector Shelf — 2"..... | 1 |
| 23 | 160-6005 | Shelf Ferrule..... | 1 |
| 24 | R14K250 | Retaining Ring 1/4"..... | 1 |
| 25 | 001-6024 | Roller..... | 1 |
| 26 | 001-6006 | Pin (Roller Actuator)..... | 1 |
| 26 | R10K156 | Retaining Ring 5/32..... | 2 |
| 28 | 001-5475 | Latch Assembly..... | 1 |
| 29 | 001-7001 | Torsion Spring..... | 1 |
| 30 | R10K125 | Retaining Ring 1/8..... | 1 |
| 31 | 170-7004 | Torsion Spring..... | 1 |
| 32 | 170-5056 | Drive Sub Assembly..... | 1 |

Figure 7 — COLUMN ASSEMBLY 2" - 55

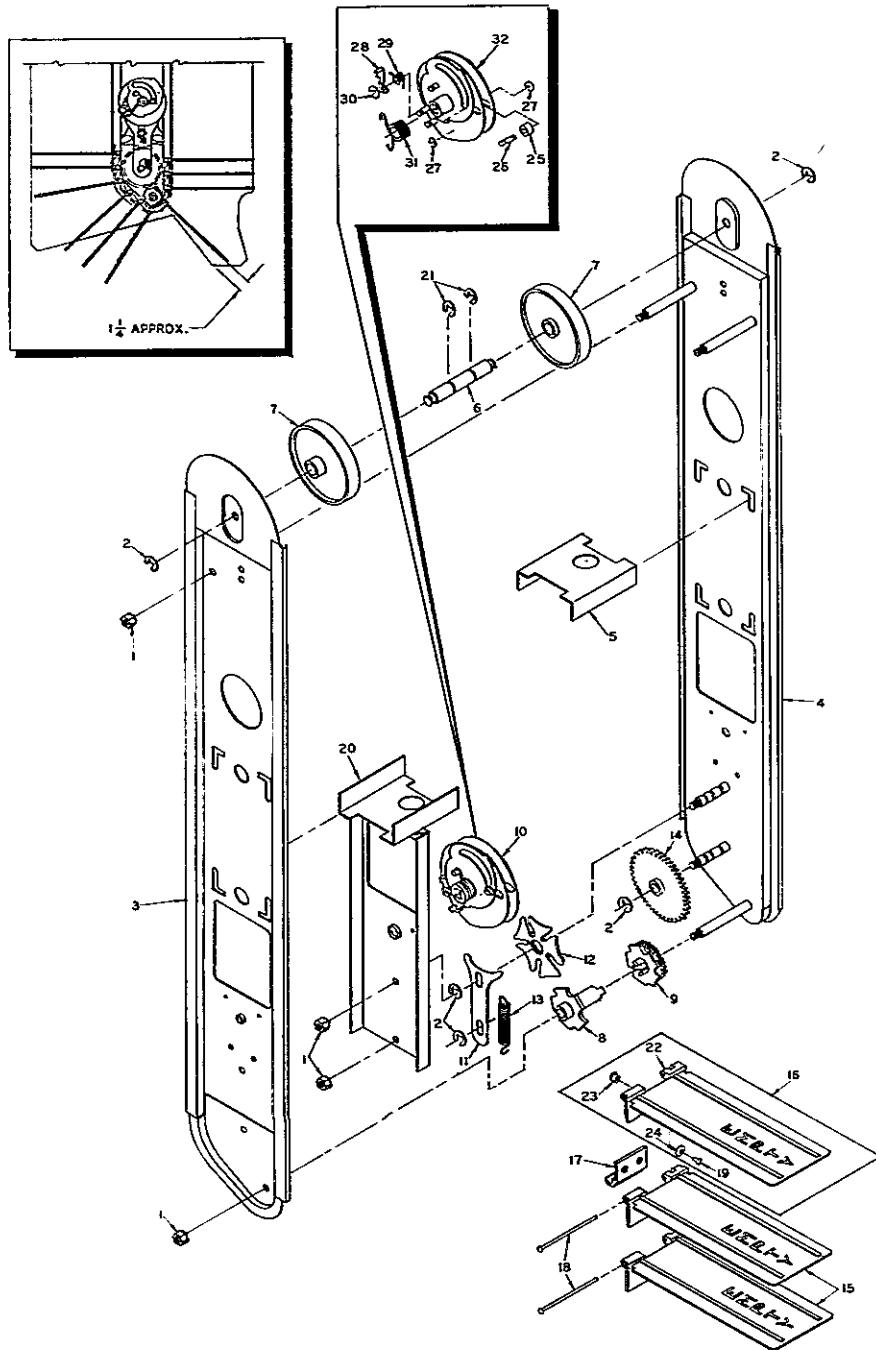


Figure 8 — COLUMN ASSEMBLY 3" N-55

| INDEX NO. | PART NO. | DESCRIPTION | QTY. PER ASSEM. |
|-----------|-----------|---|-----------------|
| 1 | N20C2528 | Nut And Lockwasher 1/4-28..... | 5 |
| 2 | R10K375 | Retaining Ring 3/8..... | 5 |
| 3 | 160-5113 | Track Assembly — Left Hand 3"..... | 1 |
| 4 | 160-5112 | Track Assembly — Right Hand 3"..... | 1 |
| 5 | 001-4014 | Spacer 3"..... | 1 |
| 6 | 160-6007 | Shaft Roller 3"..... | 1 |
| 7 | 160-3015 | Top Roller..... | 2 |
| 8 | 160-3009 | Sprocket 3"..... | 1 |
| 9 | 160-3007 | Sprocket And 26 Tooth Gear 2" And 3"..... | 1 |
| 10 | 170-5057 | Drive Assembly..... | 1 |
| 11 | 001-5473 | Lock Plate Assembly..... | 1 |
| 12 | 170-5055 | Index Wheel And Gear Assembly..... | 1 |
| 13 | 001-7002 | Tension Spring..... | 1 |
| 14 | 170-3001 | Idler Gear — 50 Tooth..... | 1 |
| 15 | 160-3001 | Shelf 3" Narrow..... | 54 |
| 16 | 160-5116 | Connector Shelf Assembly 3" Narrow..... | 1 |
| 17 | 160-2008 | Shelf Link 3"..... | 1 |
| 18 | 160-8016 | Rivet — Shelf 3"..... | 55 |
| 19 | S11C832-5 | Screw 8-32 x 5/16..... | 2 |
| 20 | 001-5498 | Support Bracket Assembly..... | 1 |
| 21 | R11K500 | Retaining Ring..... | 2 |
| 22 | 160-3023 | Connector Shelf — 3" Narrow..... | 1 |
| 23 | 160-6005 | Shelf Ferrule..... | 2 |
| 24 | R14K250 | Retaining Ring 1/4..... | 2 |
| 25 | 001-6024 | Roller..... | 1 |
| 26 | 001-6006 | Pin (Roller Actuator)..... | 1 |
| 27 | R10K156 | Retaining Ring 5/32..... | 2 |
| 28 | 001-5475 | Latch Assembly..... | 1 |
| 29 | 001-7001 | Torsion Spring..... | 1 |
| 30 | R10K125 | Retaining Ring 1/8..... | 1 |
| 31 | 170-7004 | Torsion Spring..... | 1 |
| 32 | 170-5056 | Drive Sub Assembly..... | 1 |

Figure 8 — COLUMN ASSEMBLY 3" N-55

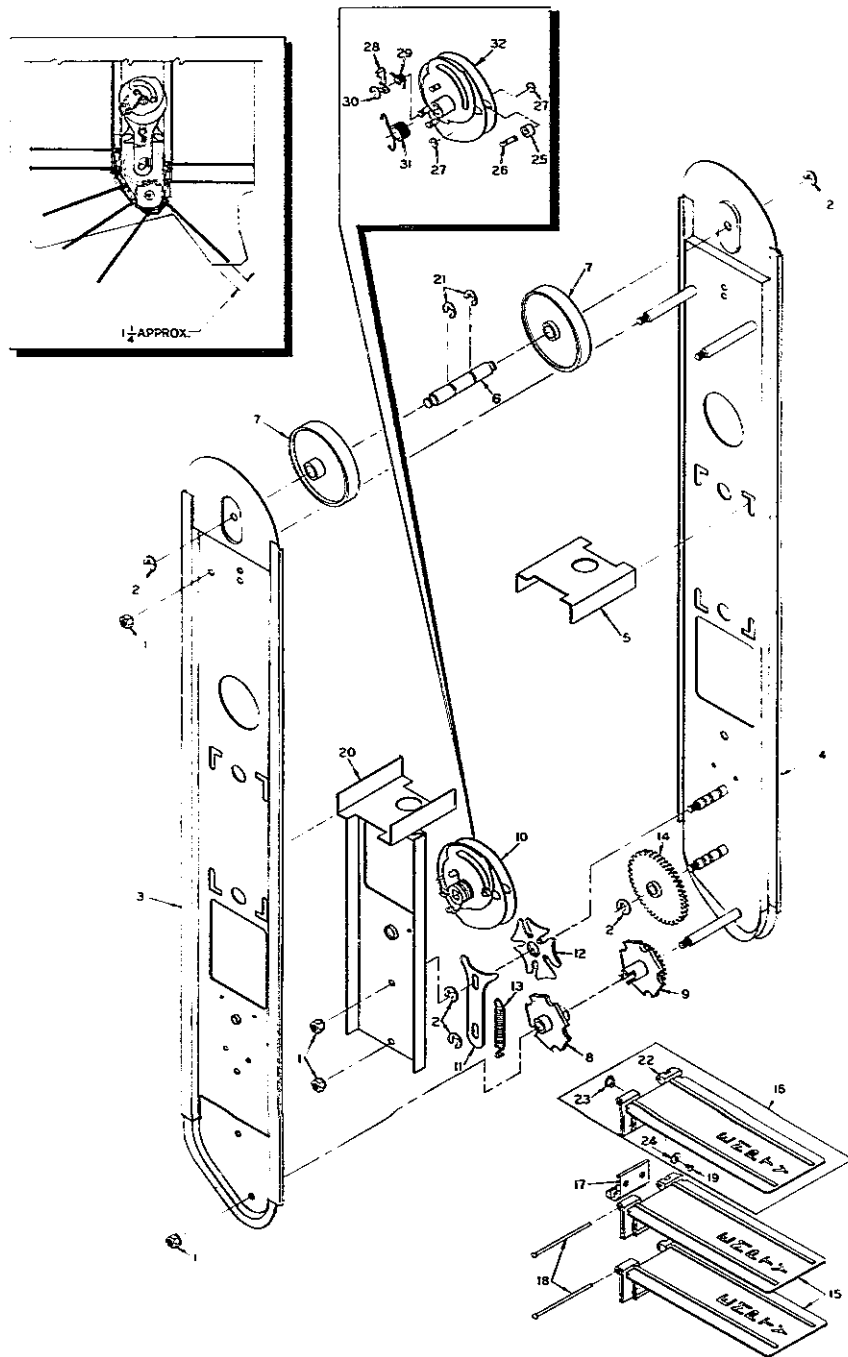


Figure 9 — COLUMN ASSEMBLY 3" W-43

| INDEX NO. | PART NO. | DESCRIPTION | QTY. PER ASSEM. |
|-----------|-----------|---|-----------------|
| 1 | N20C2528 | Nut And Lockwasher 1/4-28..... | 5 |
| 2 | R10K375 | Retaining Ring 3/8..... | 5 |
| 3 | 162-5041 | Track Assembly — Left Hand (5"-Narrow)..... | 1 |
| 4 | 160-5114 | Track Assembly — Right Hand (3"-Wide)..... | 1 |
| 5 | 001-4014 | Spacer 3"..... | 1 |
| 6 | 160-6007 | Shaft — Roller 3"..... | 1 |
| 7 | 160-3015 | Top Roller..... | 2 |
| 8 | 160-3011 | Sprocket (3" Wide)..... | 1 |
| 9 | 160-3010 | Sprocket And 26 Tooth Gear (3" Wide)..... | 1 |
| 10 | 170-5057 | Drive Assembly..... | 1 |
| 11 | 001-5473 | Lock Plate Assembly..... | 1 |
| 12 | 170-5055 | Index Wheel And Gear Assembly..... | 1 |
| 13 | 001-7002 | Tension Spring..... | 1 |
| 14 | 170-3001 | Idler Gear — 50 Tooth..... | 1 |
| 15 | 160-3005 | Shelf (3" Wide)..... | 42 |
| 16 | 160-5117 | Connector Shelf Assembly (3" Wide)..... | 1 |
| 17 | 160-2008 | Shelf Link 3"..... | 1 |
| 18 | 160-8016 | Rivet — Shelf 3"..... | 43 |
| 19 | S11C832-5 | Screw 8-32 x 5/16..... | 2 |
| 20 | 001-5498 | Support Bracket Assembly 3"..... | 1 |
| 21 | R11K500 | Retaining Ring 1/2..... | 2 |
| 22 | 160-3024 | Connector Shelf (3"-Wide)..... | 1 |
| 23 | 160-6005 | Shelf Ferrule..... | 2 |
| 24 | R14K250 | Retaining Ring 1/4..... | 2 |
| 25 | 001-6024 | Roller..... | 1 |
| 26 | 001-6006 | Pin (Roller Actuator)..... | 1 |
| 27 | R10K156 | Retaining Ring 5/32..... | 2 |
| 28 | 001-5475 | Latch Assembly..... | 1 |
| 29 | 001-7001 | Torsion Spring..... | 1 |
| 30 | R10K125 | Retaining Ring 1/8..... | 1 |
| 31 | 170-7004 | Torsion Spring..... | 1 |
| 32 | 170-5056 | Drive Sub Assembly..... | 1 |

Figure 9 — COLUMN ASSEMBLY 3" W-43

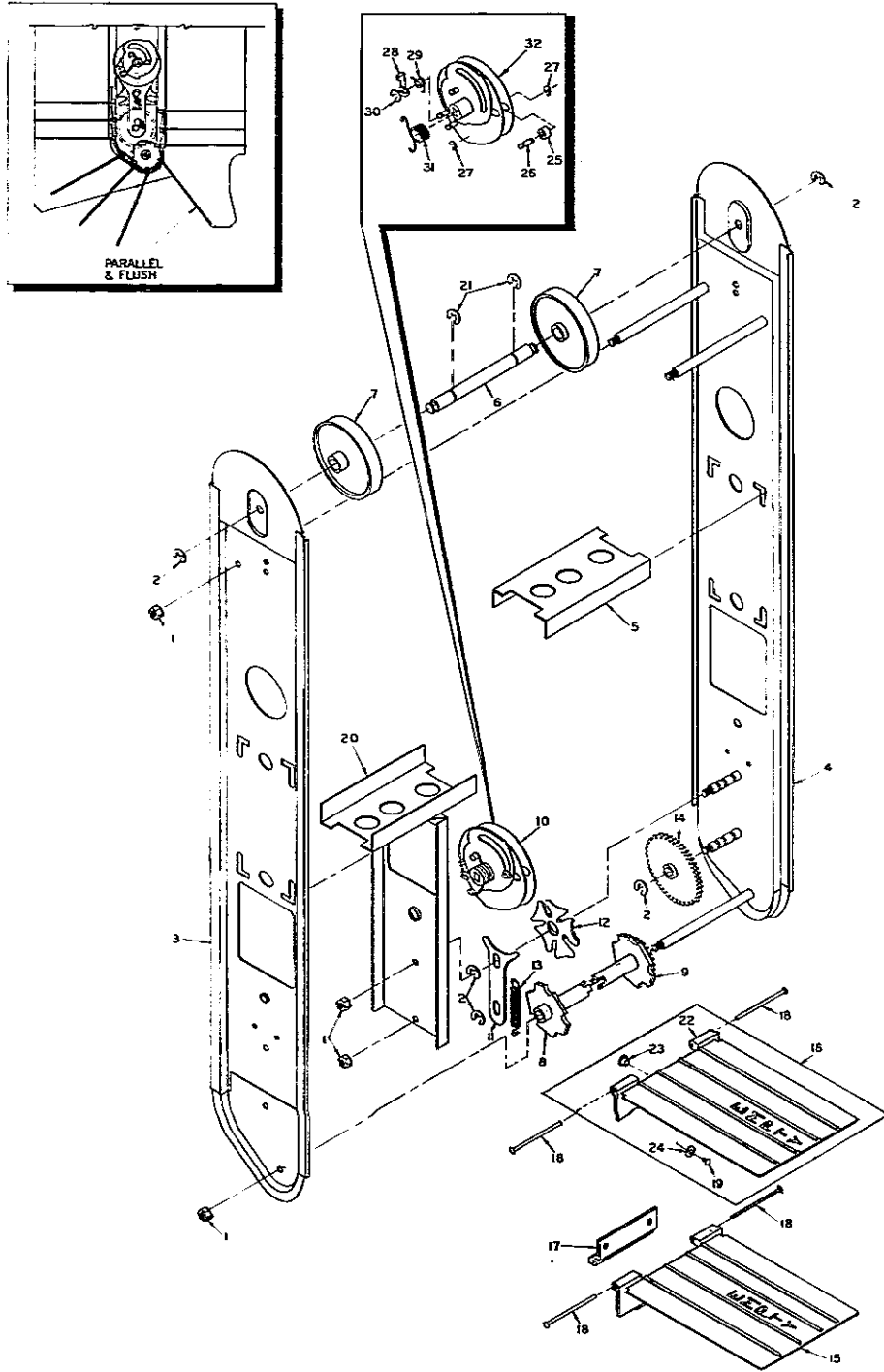


Figure 10 — COLUMN ASSEMBLY 5" N-43

| INDEX NO. | PART NO. | DESCRIPTION | QTY. PER ASSEM. |
|-----------|-----------|--|-----------------|
| 1 | N20C2528 | Nut And Lock Washer 1/4-28..... | 5 |
| 2 | R10K375 | Retaining Ring 3/8..... | 5 |
| 3 | 162-5041 | Track Assembly — Left Hand (5"-Narrow)..... | 1 |
| 4 | 162-5040 | Track Assembly — Right Hand (5" Narrow)..... | 1 |
| 5 | 001-4015 | Spacer 5"..... | 1 |
| 6 | 162-6008 | Shaft — Roller (5" Narrow And 5" Wide)..... | 1 |
| 7 | 160-3015 | Top Roller..... | 2 |
| 8 | 162-3012 | Sprocket (5" Narrow)..... | 1 |
| 9 | 162-3011 | Sprocket And 26 Tooth Gear (5" Narrow)..... | 1 |
| 10 | 170-5057 | Drive Assembly..... | 1 |
| 11 | 001-5473 | Lock Plate Assembly..... | 1 |
| 12 | 170-5055 | Index Wheel And Gear Assembly..... | 1 |
| 13 | 001-7002 | Tension Spring..... | 1 |
| 14 | 170-3001 | Idler Gear — 50 Tooth..... | 1 |
| 15 | 162-3002 | Shelf (5" Narrow)..... | 42 |
| 16 | 162-5045 | Connector Shelf Assembly (5" Narrow)..... | 1 |
| 17 | 162-2009 | Shelf Link (5" Narrow)..... | 1 |
| 18 | 162-8017 | Rivet — Shelf 5"..... | 86 |
| 19 | S11C832-5 | Screw 8-32 x 5/16..... | 2 |
| 20 | 001-5499 | Support Bracket Assembly 5"..... | 1 |
| 21 | R11K500 | Retaining Ring 1/2..... | 2 |
| 22 | 162-3024 | Connector Shelf (5" Narrow)..... | 1 |
| 23 | 160-6005 | Shelf Ferrule..... | 2 |
| 24 | R14K250 | Retaining Ring 1/4..... | 2 |
| 25 | 001-6024 | Roller..... | 1 |
| 26 | 001-6006 | Pin (Roller Actuator)..... | 1 |
| 27 | R10K156 | Retaining Ring 5/32..... | 2 |
| 28 | 001-5475 | Latch Assembly..... | 1 |
| 29 | 001-7001 | Torsion Spring..... | 1 |
| 30 | R10K125 | Retaining Ring 1/8..... | 1 |
| 31 | 170-7004 | Torsion Spring..... | 1 |
| 32 | 170-5056 | Drive Sub Assembly..... | 1 |

Figure 10 — COLUMN ASSEMBLY 5" N-43

| INDEX NO. | PART NO. | DESCRIPTION | QTY. PER ASSEM. |
|-----------|-----------|---|-----------------|
| 1 | N20C2528 | Nut And Lockwasher 1/2-28..... | 5 |
| 2 | R10K375 | Retaining Ring 3/8..... | 5 |
| 3 | 162-5043 | Track Assembly — Left Hand (5" Wide)..... | 1 |
| 4 | 162-5042 | Track Assembly — Right Hand (5" Wide)..... | 1 |
| 5 | 001-4015 | Spacer 5"..... | 1 |
| 6 | 162-6008 | Shaft — Roller (5" Narrow And 5" Wide)..... | 1 |
| 7 | 160-3015 | Top Roller..... | 2 |
| 8 | 162-3014 | Sprocket (5" Wide)..... | 1 |
| 9 | 162-3013 | Sprocket And 26 Tooth Gear (5" Wide)..... | 1 |
| 10 | 170-5057 | Drive Assembly..... | 1 |
| 11 | 001-5473 | Lock Plate Assembly..... | 1 |
| 12 | 170-5055 | Index Wheel And Gear Assembly..... | 1 |
| 13 | 001-7002 | Tension Spring..... | 1 |
| 14 | 170-3001 | Idler Gear — 50 Tooth..... | 1 |
| 15 | 162-3003 | Shelf (5" Wide)..... | 30 |
| 16 | 162-5046 | Connector Shelf Assembly (5" Wide)..... | 1 |
| 17 | 162-2010 | Shelf Link (5" Wide)..... | 1 |
| 18 | 162-8017 | Rivet — Shelf 5"..... | 62 |
| 19 | S11C832-5 | Screw 8-32 x 5/16..... | 2 |
| 20 | 001-5499 | Support Bracket Assembly 5"..... | 1 |
| 21 | R11K500 | Retaining Ring 1/2..... | 2 |
| 22 | 162-3025 | Connector Shelf (5" Wide)..... | 1 |
| 23 | 160-6005 | Shelf Ferrule..... | 2 |
| 24 | R14K250 | Retaining Ring 1/4..... | 2 |
| 25 | 001-6024 | Roller..... | 1 |
| 26 | 001-6006 | Pin (Roller Actuator)..... | 1 |
| 27 | R10K156 | Retaining Ring 5/32..... | 2 |
| 28 | 001-5475 | Latch Assembly..... | 1 |
| 29 | 001-7001 | Torsion Spring..... | 1 |
| 30 | R10K125 | Retaining Ring 1/8..... | 1 |
| 31 | 170-7004 | Torsion Spring..... | 1 |
| 32 | 170-5056 | Drive Sub Assembly..... | 1 |

Figure 11 — COLUMN ASSEMBLY 5" W-31

Lektro Vend

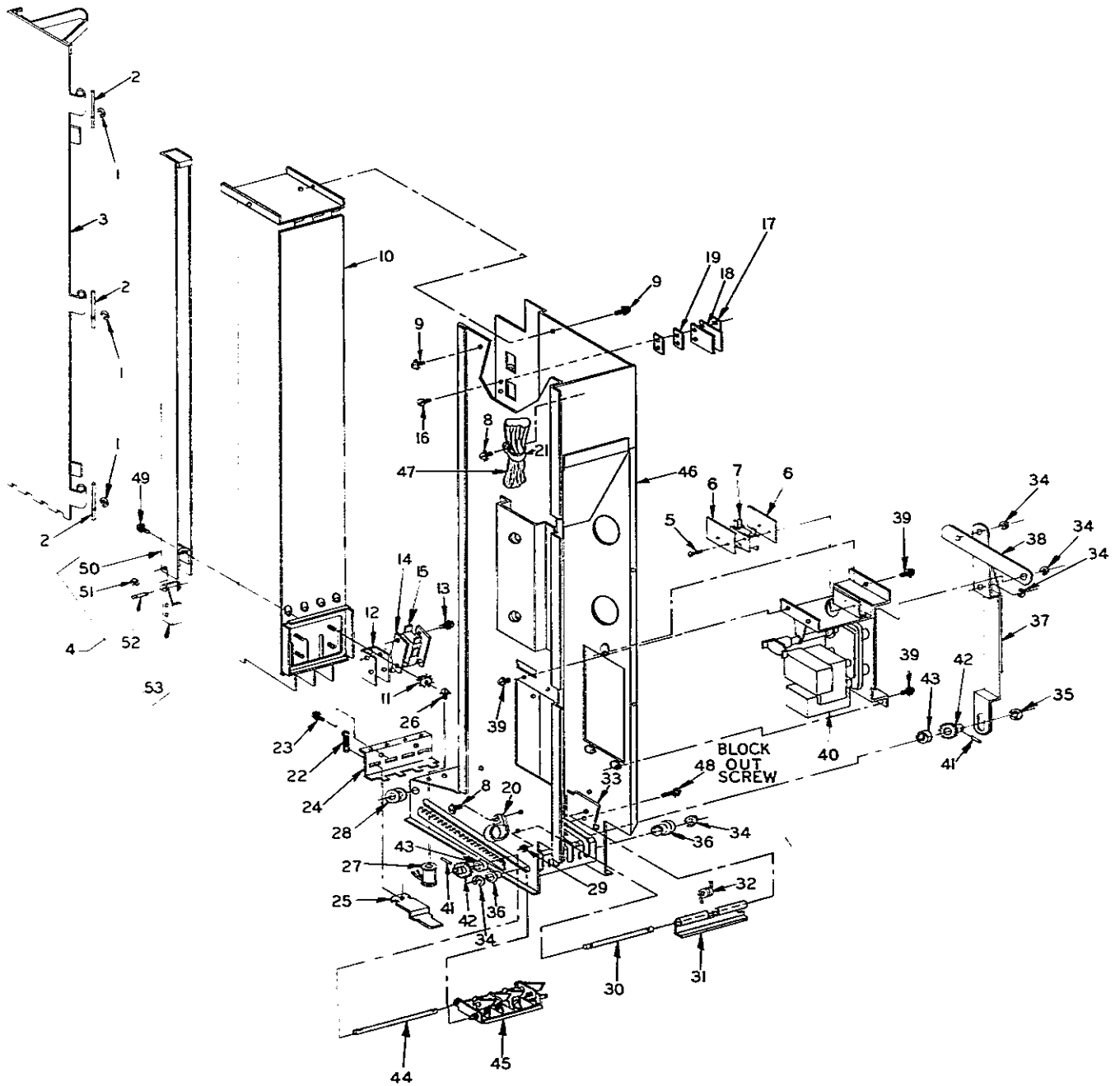


Figure 12 — GUM AND MINT ASSEMBLY

| INDEX NO. | PART NO. | DESCRIPTION | QTY. PER ASSEM. |
|-----------|----------|--------------------------|-----------------|
| 1 | R10K187 | Retaining Ring 3/16..... | 3 |
| 2 | 001-6064 | Hinge Pin — Mint..... | 3 |
| 3 | 150-5348 | Mint Door Assembly..... | 1 |

| INDEX NO. | PART NO. | DESCRIPTION | QTY. PER ASSEM. |
|--------------|-------------|--|-----------------------|
| 4 | 150-5355 | Mint Spacer Assembly Complete..... | 4 |
| 5 | S20C632-16 | Screw And Lockwasher 6-32 x 1"..... | 2 |
| 6 | 001-9012 | Insulator..... | 2 |
| 7 | 001-8013 | Micro Switch..... | 1 |
| 8 | S20C832-5 | Screw And Lockwasher 8-32 x 5/16..... | 3 |
| 9 | S20C832-4 | Screw And Lockwasher 8-32 x 1/4..... | 3 |
| 10 | 160-5092 | Stack Assembly..... | 1 |
| 11 | N20C632 | Nut And Lockwasher 6-32..... | 4 |
| 12 | 102-4043 | Switch Mounting Bracket..... | 2 |
| 13 | S10C440-9 | Screw 4-40 x 9/16..... | 8 |
| 14 | 501-9001 | Switch Insulator..... | 8 |
| 15 | 102-8001 | Column Empty Switch..... | 4 |
| 16 | S12C632-6 | Screw 6-32 x 3/8..... | 4 |
| 17 | 001-4126 | Door Spring Nut Bar..... | 2 |
| 18 | 001-7013 | Door Spring..... | 4 |
| 19 | 001-4125 | Door Spring Spacer..... | 4 |
| 20 | 001-8008 | Wire Clamp 3/8..... | 1 |
| 21 | 001-8017 | Wire Clamp 1/2..... | 1 |
| 22 | 001-7018 | Extension Spring..... | 4 |
| 23 | S20C832-4 | Screw And Lockwasher 8-32 x 1/4..... | 2 |
| 24 | 001-4127 | Armature Retainer..... | 1 |
| 25 | 150-5359 | Armature Assembly..... | 4 |
| 26 | S20C832-4 | Screw And Lockwasher 8-32 x 1/4..... | 4 |
| 27 | 001-8011 | Electro Magnet — Mint..... | 4 |
| 28 | 001-8021 | Grommet Rubber 1/2..... | 1 |
| 29 | R10K187 | Retaining Ring 3/16..... | 2 |
| 30 | 150-6009 | Shaft..... | 1 |
| 31 | 150-4355 | Feeler Gate..... | 1 |
| 32 | 150-7002 | Torsion Spring..... | 1 |
| 33 | 001-7012 | Guide Spring..... | 3 |
| 34 | R10K250 | Retaining Ring 1/4..... | 5 |
| 35 | R10K375 | Retaining Ring 3/8..... | 1 |
| 36 | 001-6052 | Shoulder Roller — Mint..... | 2 |
| 37 | 150-5349 | Drive Arm Assembly..... | 1 |
| 38 | 150-5350 | Drive Link Assembly..... | 1 |
| 39 | S20C832-4 | Screw And Lockwasher 8-32 x 1/4..... | 5 |
| 40 | 150-5356 | Drive Motor Assembly..... | 1 |
| 41 | P10K094-6 | Roll Pin 3/32 x 3/8..... | 2 |
| 42 | 150-5422 | Hub And Gear Assembly..... | 2 |
| 43 | 150-6007 | Spacer Roller..... | 2 |
| 44 | 150-6013 | Shaft — Mint..... | 1 |
| 45 | 150-5358 | Pusher And Drive Bar Assembly..... | 1 |
| 46 | 150-5342 | Side Plates And Chassis Assembly..... | 1 |
| 47 | 160-5091 | Harness — Mint Unit..... | 1 |
| 48 | S20C632-6 | Block Out Screw And Lockwasher 6-32 x 3/8..... | 1 |
| 49 | S20C832-16 | Screw And Lockwasher 8-32 x 1..... | 4 |
| 50 | 150-5354 | Mint Column Space Assembly..... | 4 |
| 51 | R10K125 | Retaining Ring 1/8..... | 8 |
| 52 | 150-6082 | Shaft — Mint Spacer..... | 4 |
| 53 | 150-4362 | Out Switch Activator..... | 4 |

Figure 12 — GUM AND MINT ASSEMBLY

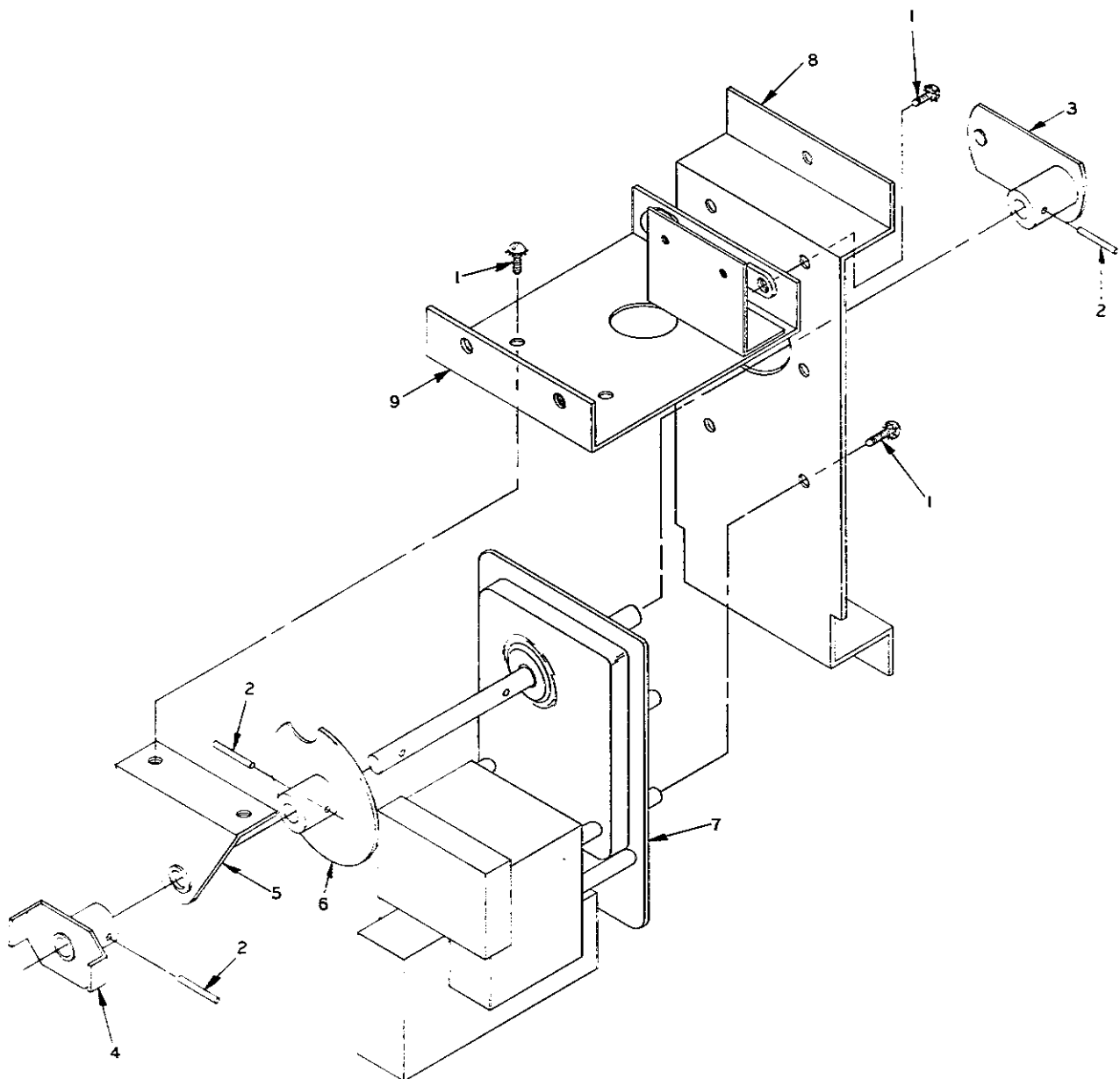


Figure 13 — DRIVE MOTOR ASSEMBLY WITH GUM AND MINT

| INDEX NO. | PART NO. | DESCRIPTION | QTY. PER ASSEM. |
|-----------|------------|--------------------------------------|-----------------|
| 1 | S20C832-4 | Screw And Lockwasher 8-32 x 1/4..... | 8 |
| 2 | P10K094-10 | Roll Pin 3/32 x 5/8..... | 3 |
| 3 | 150-5351 | Drive Cam Assembly..... | 1 |
| 4 | 150-5417 | Drive Coupling And Hub Assembly..... | 1 |
| 5 | 150-5418 | Shaft Support Assembly..... | 1 |
| 6 | 150-5420 | Interlock Cam Assembly..... | 1 |
| 7 | 150-8000 | Drive Motor..... | 1 |
| 8 | 150-4349 | Motor Mounting Bracket..... | 1 |
| 9 | 150-5352 | Motor Switch Bracket Assembly..... | 1 |

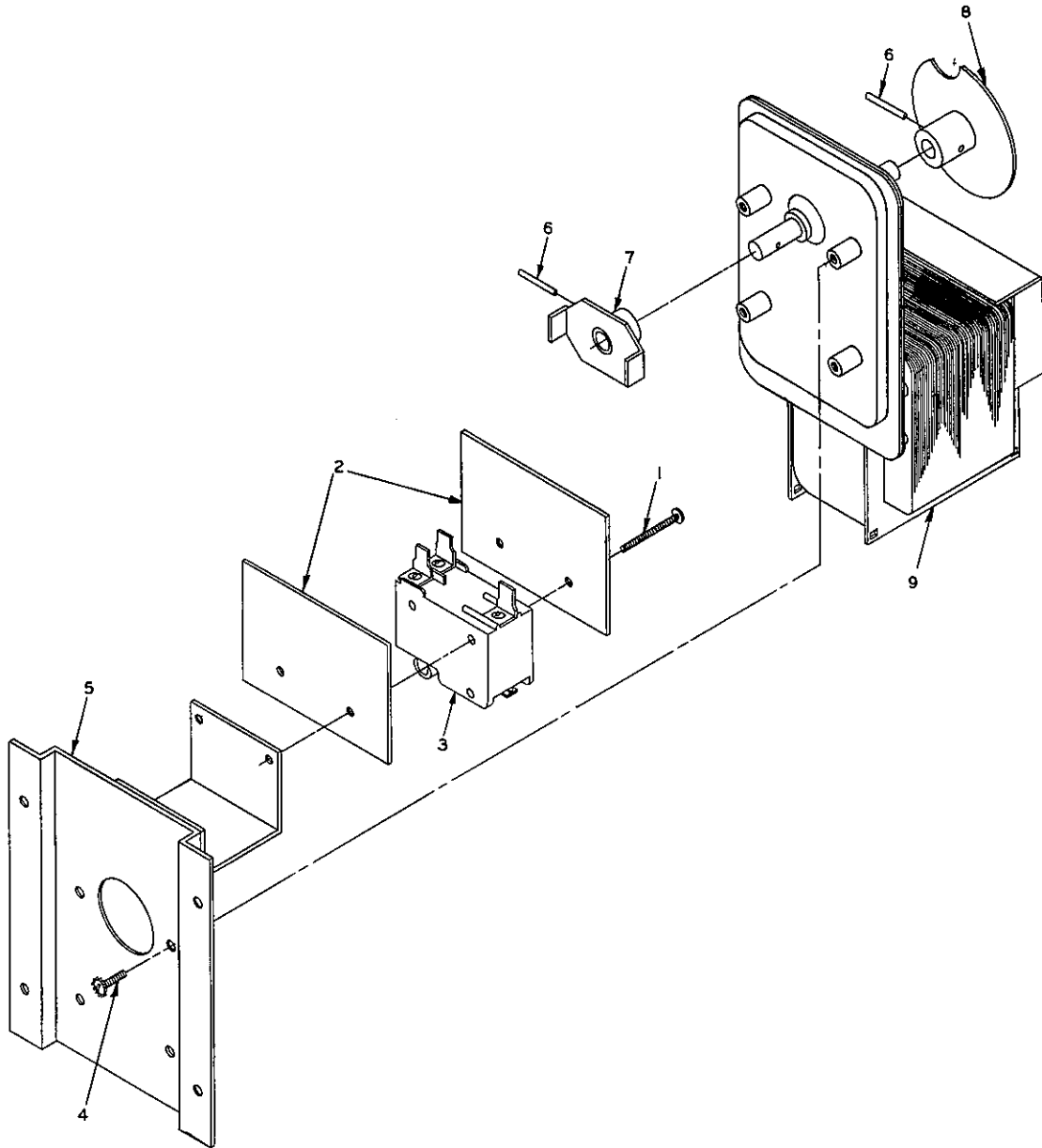


Figure 14 — DRIVE MOTOR ASSEMBLY WITHOUT GUM AND MINT

| INDEX NO. | PART NO. | DESCRIPTION | QTY. PER ASSEM. |
|-----------|------------|---------------------------------------|-----------------|
| 1 | S10C632-14 | Screw And Lockwasher 6-32 x 7/16..... | 2 |
| 2 | 001-9012 | Insulator..... | 2 |
| 3 | 001-8013 | Micro Switch..... | 1 |
| 4 | S20C832-4 | Screw And Lockwasher 8-32 x 1/4..... | 4 |
| 5 | 152-5412 | Motor Bracket Assembly..... | 1 |
| 6 | P10K094-12 | Roll Pin 3/32 x 5/8..... | 2 |
| 7 | 150-5417 | Drive Coupling And Hub Assembly..... | 1 |
| 8 | 150-5420 | Interlock Cam Assembly..... | 1 |
| 9 | 152-8000 | Drive Motor..... | 1 |

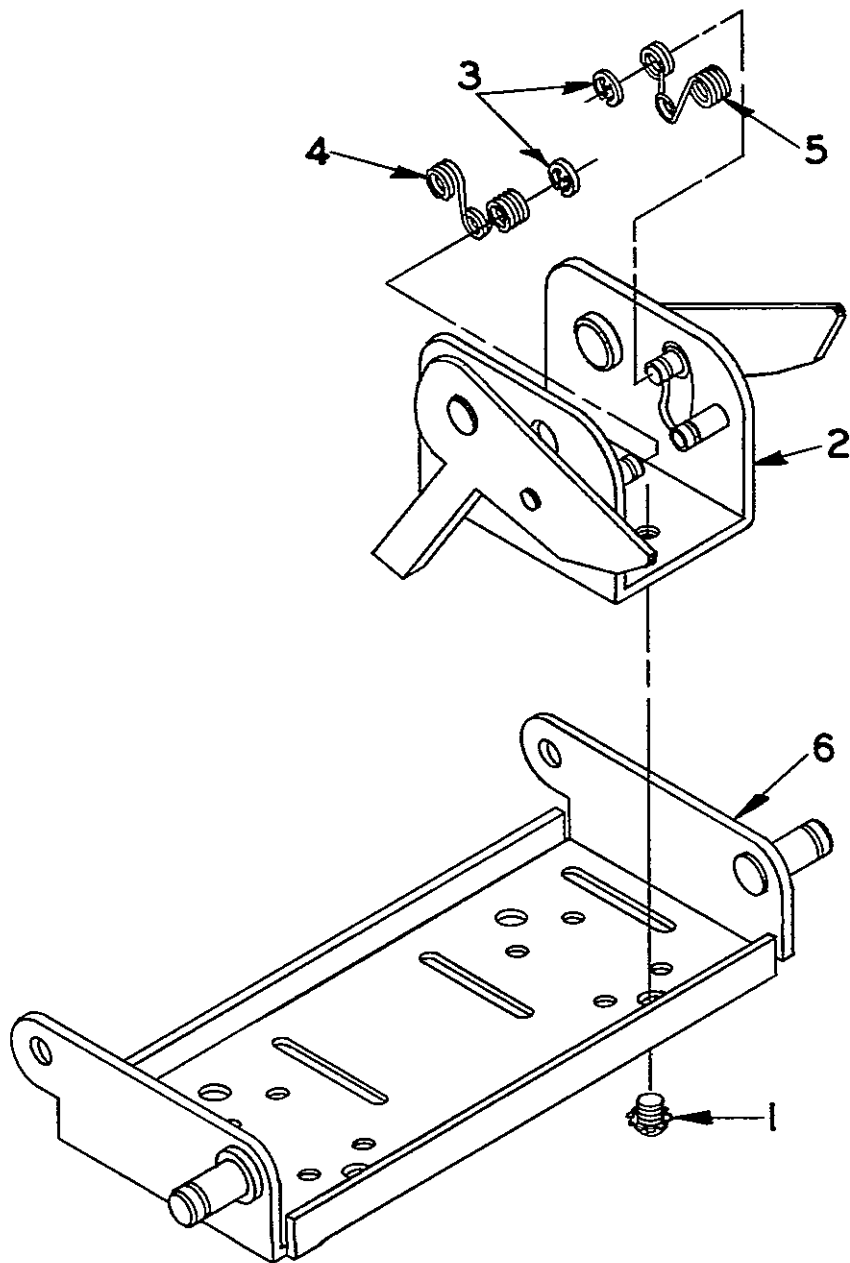


Figure 15 — PUSHER AND DRIVE BAR ASSEMBLY

| INDEX NO. | PART NO. | DESCRIPTION | QTY. PER ASSEM. |
|-----------|------------|--|-----------------|
| 1 | S20C1032-3 | Screw And Lockwasher 10-32 x 3/16..... | 4 |
| 2 | 001-5422 | Pusher Support Assembly..... | 2 |
| 3 | R10K156 | Retaining Ring 5/32..... | 8 |
| 4 | 001-7024 | Pusher Spring — Left Hand..... | 2 |
| 5 | 001-7023 | Pusher Spring — Right Hand..... | 2 |
| 6 | 150-5357 | Pusher Drive Bar Assembly..... | 1 |

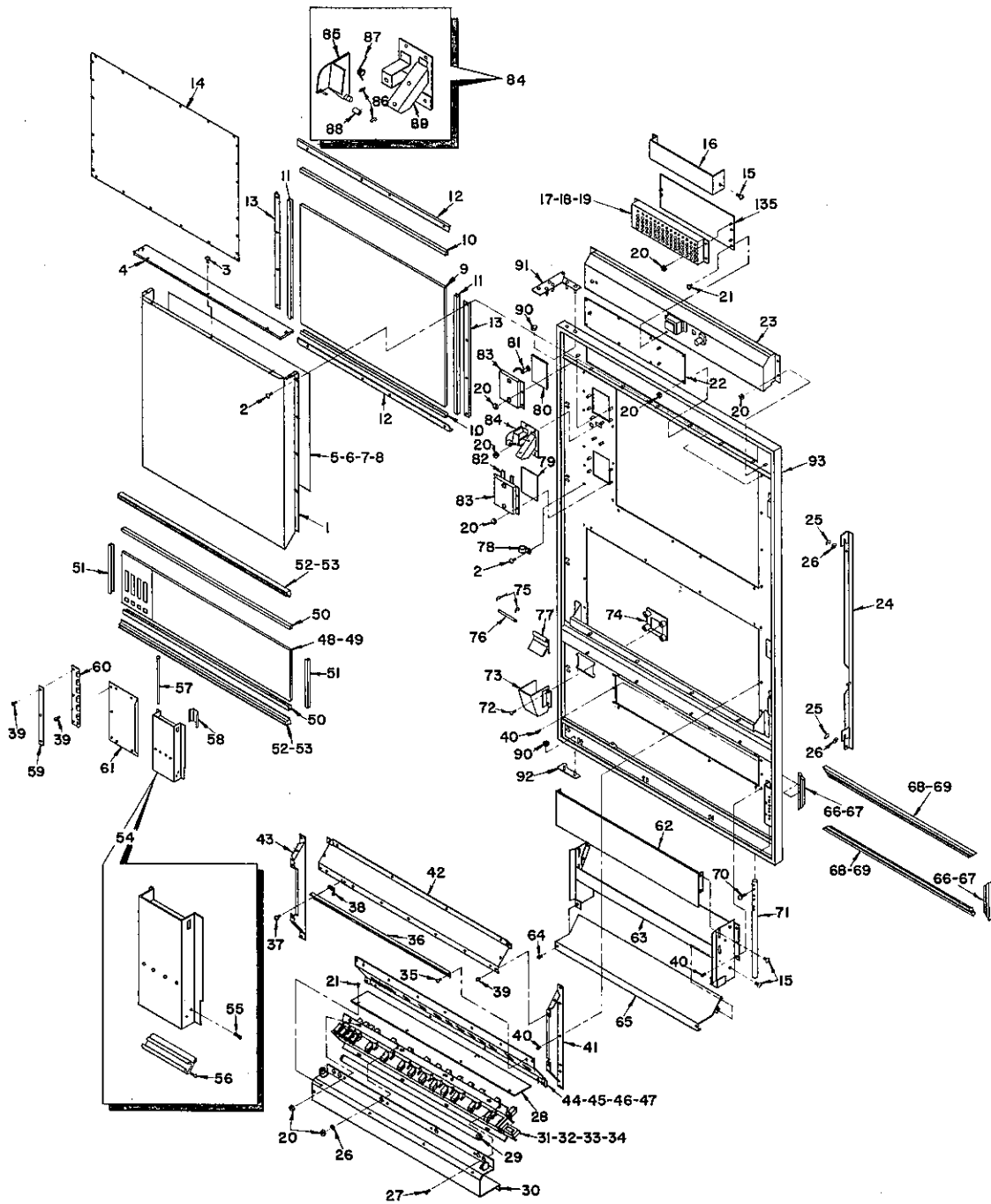


Figure 16 — DOOR ASSEMBLY — ALL MODELS EXCEPT ROWE AWARD

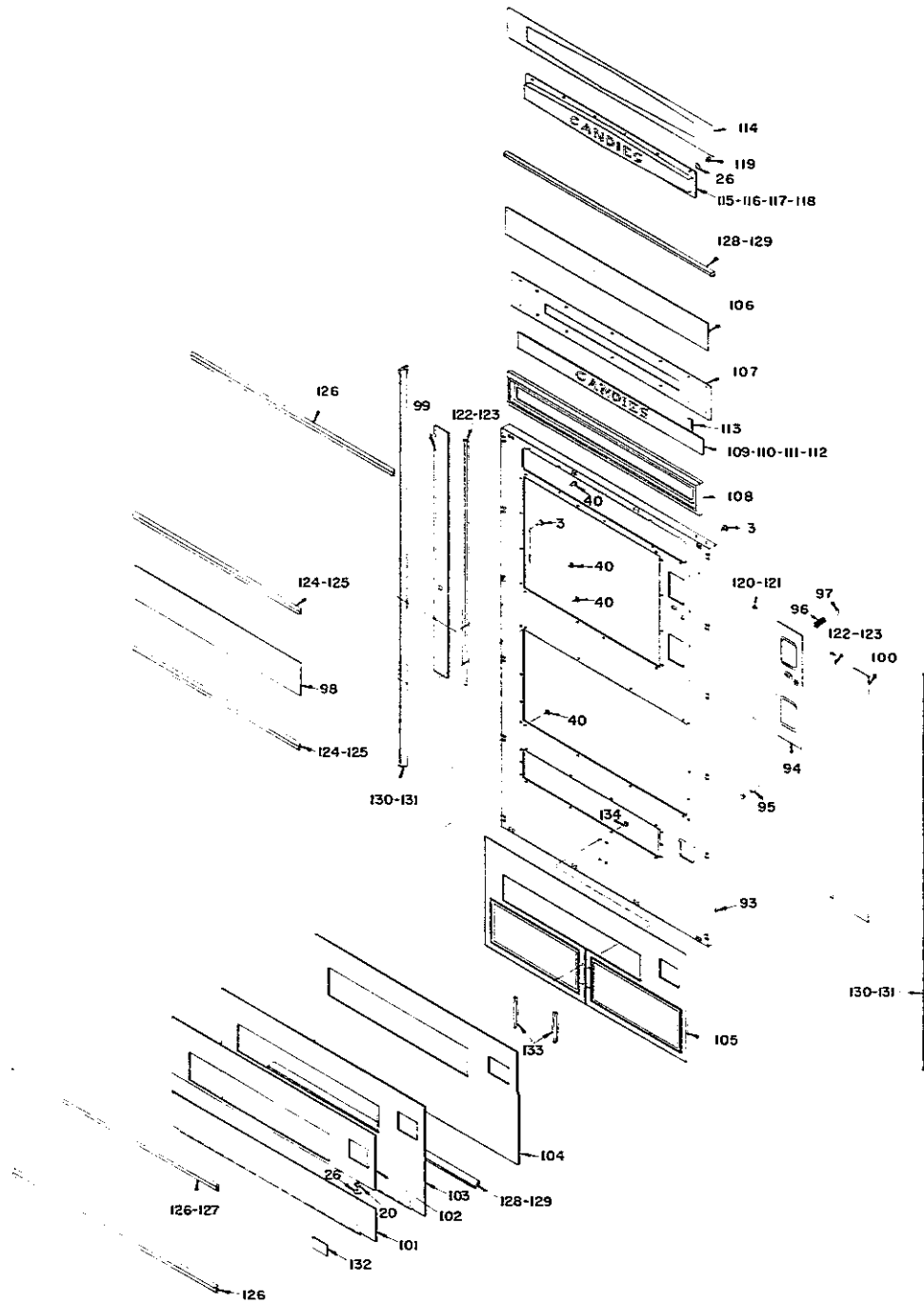


Figure 16 — DOOR ASSEMBLY — ALL MODELS EXCEPT ROWE AWARD

| INDEX NO. | PART NO. | DESCRIPTION | QTY. PER ASSEM. |
|-----------|------------|---|-----------------|
| 1 | 170-5023 | Shadow Box Assembly..... | 1 |
| 2 | S39C818-8 | Screw 8-18 x 1/2..... | 19 |
| 3 | S40C620-6 | Screw 6-20 x 3/8..... | 25 to 35 |
| 4 | 170-3005 | Shadow Box Top..... | 1 |
| 5 | 150-9042 | Shadow Box Picture — Candy..... | 0 to 1 |
| 6 | 150-9043 | Shadow Box Picture — Pastry..... | 0 to 1 |
| 7 | 150-9044 | Shadow Box Picture — Pastry — Candy..... | 0 to 1 |
| 8 | 150-9045 | Shadow Box Picture — Snacks..... | 0 to 1 |
| 9 | 160-9005 | Shadow Box Glass..... | 1 |
| 10 | 150-9035 | Shadow Box Glass Gasket — Horizontal..... | 2 |
| 11 | 150-9036 | Shadow Box Glass Gasket — Vertical..... | 2 |
| 12 | 150-4237 | Glass Retainer — Top And Bottom..... | 2 |
| 13 | 150-4235 | Glass Retainer — Sides..... | 2 |
| 14 | 160-4161 | Blank For Picture Area..... | 1 |
| 15 | S20C832-5 | Screw And Lockwasher 8-32 x 5/16..... | 7 |
| 16 | 160-4040 | Price Exchange Cover..... | 1 |
| 17 | 163-5028 | Price Exchange Assembly..... | 0 to 1 |
| 18 | 164-5028 | Price Exchange Assembly..... | 0 to 1 |
| 19 | 165-5028 | Price Exchange Assembly..... | 0 to 1 |
| 20 | N20C832 | Nut And Lockwasher 8-32..... | 40 |
| 21 | S13C832-5 | Screw 8-32 x 5/16..... | 7 |
| 22 | 160-5238 | Mounting Plate Assembly Price Exchange..... | 0 to 1 |
| 23 | 160-5043 | Top Light Assembly..... | 1 |
| 24 | 160-5237 | Lock Bar Assembly..... | 1 |
| 25 | R10K187 | Retaining Ring 3/16..... | 2 |
| 26 | W10C10 | Washer #10..... | 13 |
| 27 | S41C832-5 | Screw 8-32 x 5/16..... | 2 |
| 28 | 160-3030 | Light Cover..... | 1 |
| 29 | 001-8091 | Fluorescent Lamp — 18 Watt..... | 1 |
| 30 | 170-5068 | Display Light Assembly..... | 1 |
| 31 | 170-5060 | Model 170 Selector..... | 0 to 1 |
| 32 | 172-5060 | Model 172 Selector..... | 0 to 1 |
| 33 | 173-5060 | Model 173 Selector..... | 0 to 1 |
| 34 | 175-5060 | Model 175 Selector..... | 0 to 1 |
| 35 | S42C832-5 | Screw 8-32 x 5/16..... | 6 |
| 36 | 160-4026 | Display Light Cover..... | 1 |
| 37 | S42C832-4 | Screw 8-32 x 1/4..... | 10 |
| 38 | 150-7007 | Mint Display Latch..... | 1 |
| 39 | S40C1016-6 | Screw 10-16 x 3/8..... | 8 |
| 40 | S39C818-6 | Screw 8-18 x 3/8..... | 55 |
| 41 | 170-4047 | Display Frame — Right Hand Side..... | 1 |
| 42 | 170-4045 | Display Frame — Top..... | 1 |
| 43 | 170-4048 | Display Frame — Left Hand Side..... | 1 |
| 44 | 170-4046 | Display Frame, Bottom — Model 170..... | 0 to 1 |
| 45 | 172-4046 | Display Frame, Bottom — Model 172..... | 0 to 1 |
| 46 | 173-4046 | Display Frame, Bottom — Model 173..... | 0 to 1 |
| 47 | 175-4046 | Display Frame, Bottom — Model 175..... | 0 to 1 |

DOOR ASSEMBLY — ALL MODELS EXCEPT ROWE AWARD

Lektro Vend

| INDEX NO. | PART NO. | DESCRIPTION | QTY. PER ASSEM. |
|-----------|------------|--|-----------------|
| 48 | 150-9038 | Display Glass — With Mint..... | 0 to 1 |
| 49 | 152-9006 | Display Glass — Without Mint..... | 0 to 1 |
| 50 | 150-9008 | Display Glass Gasket — Vertical..... | 2 |
| 51 | 150-9007 | Display Glass Gasket — Horizontal..... | 2 |
| 52 | 150-2020 | Display Trim..... | 0 to 2 |
| 53 | 150-2026 | Display Trim (National G.F.)..... | 0 to 2 |
| 54 | 150-5232 | Mint Display Assembly..... | 1 |
| 55 | S42C832-5 | Screw 8-32 x 5/16..... | 4 |
| 56 | 150-3005 | Price Card Holder..... | 1 |
| 57 | 150-6021 | Hinge Pin..... | 1 |
| 58 | 150-7008 | Mint Back Up Spring..... | 4 |
| 59 | 150-4057 | Hinge Retainer..... | 1 |
| 60 | 150-4251 | Mint Display Hinge Mounting..... | 1 |
| 61 | 162-4042 | Mint Display Cover..... | 1 |
| 62 | 160-5234 | Anti-Cheat Gate Assembly..... | 1 |
| 63 | 170-5044 | Delivery Tray Support And Gate Assembly..... | 1 |
| 64 | S20C2520-8 | Screw And Lockwasher 1/4-20 x 1/2..... | 2 |
| 65 | 170-5042 | Delivery Tray Weldment..... | 1 |
| 66 | 170-2005 | Delivery Tray Extrusion — Left And Right Hand..... | 0 to 2 |
| 67 | 170-2018 | Delivery Tray Extrusion — Left And Right Hand (National G.F.)..... | 0 to 2 |
| 68 | 170-2004 | Delivery Tray Extrusion — Top And Bottom..... | 0 to 2 |
| 69 | 170-2017 | Delivery Tray Extrusion — Top And Bottom (National G.F.)..... | 0 to 2 |
| 70 | S30C2520-8 | Screw And Lockwasher 1/4-20 x 1/2..... | 2 |
| 71 | 160-6025 | Door Stabilizer Rod..... | 1 |
| 72 | S20C1032-6 | Screw And Lockwasher 10-32 x 3/8..... | 4 |
| 73 | 001-5132 | Coin Return Cup Assembly..... | 1 |
| 74 | 001-2003 | Coin Return Front..... | 1 |
| 75 | R10K125 | Retaining Ring 1/8..... | 2 |
| 76 | 001-6122 | Pin — Coin Return Cup..... | 1 |
| 77 | 001-2004 | Coin Return Door..... | 1 |
| 78 | 001-8019 | Wire Clamp 7/8..... | 7 |
| 79 | 160-9018 | Instruction Glass..... | 1 |
| 80 | 160-9019 | Out Light Glass..... | 1 |
| 81 | 160-5089 | Indicator Light Assembly..... | 2 |
| 82 | 160-8011 | Out Glass Gasket..... | 4 |
| 83 | 160-4015 | Out Light Glass Cover..... | 2 |
| 84 | 160-5054 | Coin Chute And Return Arm Assembly..... | 1 |
| 85 | 150-5227 | Coin Return Arm Assembly..... | 1 |
| 86 | R10K250 | Retaining Ring 1/4..... | 2 |
| 87 | 150-7009 | Coin Return Arm Spring..... | 1 |
| 88 | 150-6070 | Coin Return Roller..... | 1 |
| 89 | 160-5053 | Coin Chute And Mounting Assembly..... | 1 |
| 90 | N20C2520 | Nut And Lockwasher 1/4-20..... | 4 |
| 91 | 150-5316 | Top Hinge Assembly..... | 1 |
| 92 | 150-5313 | Bottom Door Hinge Assembly..... | 1 |
| 93 | 170-5040 | Door Weldment..... | 1 |

DOOR ASSEMBLY — ALL MODELS EXCEPT ROWE AWARD

| INDEX NO. | PART NO. | DESCRIPTION | QTY. PER ASSEM. |
|-----------|-----------|--|-----------------|
| 94 | 160-4044 | Coin Receiver Plate..... | 1 |
| 95 | 150-5228 | Coin Return Pin Assembly..... | 1 |
| 96 | 001-7019 | Coin Return Spring..... | 1 |
| 97 | R10K312X | Retaining Ring 5/16..... | 1 |
| 98 | 160-4062 | Door Panel — Center..... | 0 to 1 |
| 99 | 150-4280 | Door Panel — Left Hand..... | 0 to 1 |
| 100 | 150-4279 | Door Panel — Right Hand..... | 0 to 1 |
| 101 | 160-5103 | Door Bottom Panel (Vendo)..... | 0 to 1 |
| 102 | 170-4082 | Door Lower Panel (72" Vendo)..... | 0 to 1 |
| 103 | 170-4083 | Door Bottom Panel — Long..... | 0 to 1 |
| 104 | 170-4083 | Door Bottom Panel — Long..... | 0 to 1 |
| 105 | 170-4080 | Door Bottom Panel (National G.F.)..... | 0 to 1 |
| 106 | 150-4288 | Door Top Panel — No Light..... | 0 to 1 |
| 107 | 160-5155 | Top Panel Assembly — Door (National G.F.)..... | 0 to 1 |
| 108 | 160-3033 | Top Light Frame (National G.F.)..... | 0 to 1 |
| 109 | 160-9010 | Sign Glass — Candy (National G.F.)..... | 0 to 1 |
| 110 | 160-9011 | Sign Glass — Pastry (National G.F.)..... | 0 to 1 |
| 111 | 160-9012 | Sign Glass Snacks (National G.F.)..... | 0 to 1 |
| 112 | 160-9013 | Sign Glass — Pastry — Candy (National G.F.)..... | 0 to 1 |
| 113 | 160-9016 | National Sign Glass Gasket..... | 0 to 4 |
| 114 | 150-4289 | Door Top Panel (Lighted)..... | 0 to 1 |
| 115 | 150-3022 | Sign — Candy (National Crown)..... | 0 to 1 |
| 116 | 150-3023 | Sign — Pastry (National Crown)..... | 0 to 1 |
| 117 | 150-3024 | Sign — Pastry — Candy (National Crown)..... | 0 to 1 |
| 118 | 150-3025 | Sign — Snacks (National Crown)..... | 0 to 1 |
| 119 | 400-8039 | Acorn Nut 8-32..... | 0 to 12 |
| 120 | 170-2001 | Door Extrusion — Center Vertical..... | 0 to 1 |
| 121 | 170-2014 | Door Extrusion — Center Vertical (National G.F.)..... | 0 to 1 |
| 122 | 170-2000 | Door Extrusion — Right And Left Hand Vertical..... | 0 to 2 |
| 123 | 170-2013 | Door Extrusion — Right And Left Hand Vertical (National G.F.)..... | 0 to 2 |
| 124 | 170-2003 | Door Extrusion — Center Horizontal..... | 0 to 2 |
| 125 | 170-2016 | Door Extrusion — Center Horizontal (National G.F.)..... | 0 to 2 |
| 126 | 170-2002 | Door Extrusion — Top And Bottom Horizontal..... | 0 to 3 |
| 127 | 170-2015 | Door Extrusion — Top And Bottom Horizontal (National G.F.)..... | 0 to 1 |
| 128 | 150-2021 | Door Frame Ends..... | 0 to 2 |
| 129 | 170-2011 | Door Frame Ends (National G.F.)..... | 0 to 2 |
| 130 | 150-2022 | Door Frame Sides..... | 0 to 2 |
| 131 | 170-2012 | Door Frame Sides (National G.F.)..... | 0 to 2 |
| 132 | 001-8102 | Name Plate..... | 1 |
| 133 | 160-3034 | Handle (National G.F.)..... | 0 to 2 |
| 134 | S40C620-3 | Screw 6-20 x 3/16..... | 0 to 4 |
| 135 | 160-5239 | Adapter Plate Assembly — Price Exchange..... | 0 to 1 |

DOOR ASSEMBLY — ALL MODELS EXCEPT ROWE AWARD

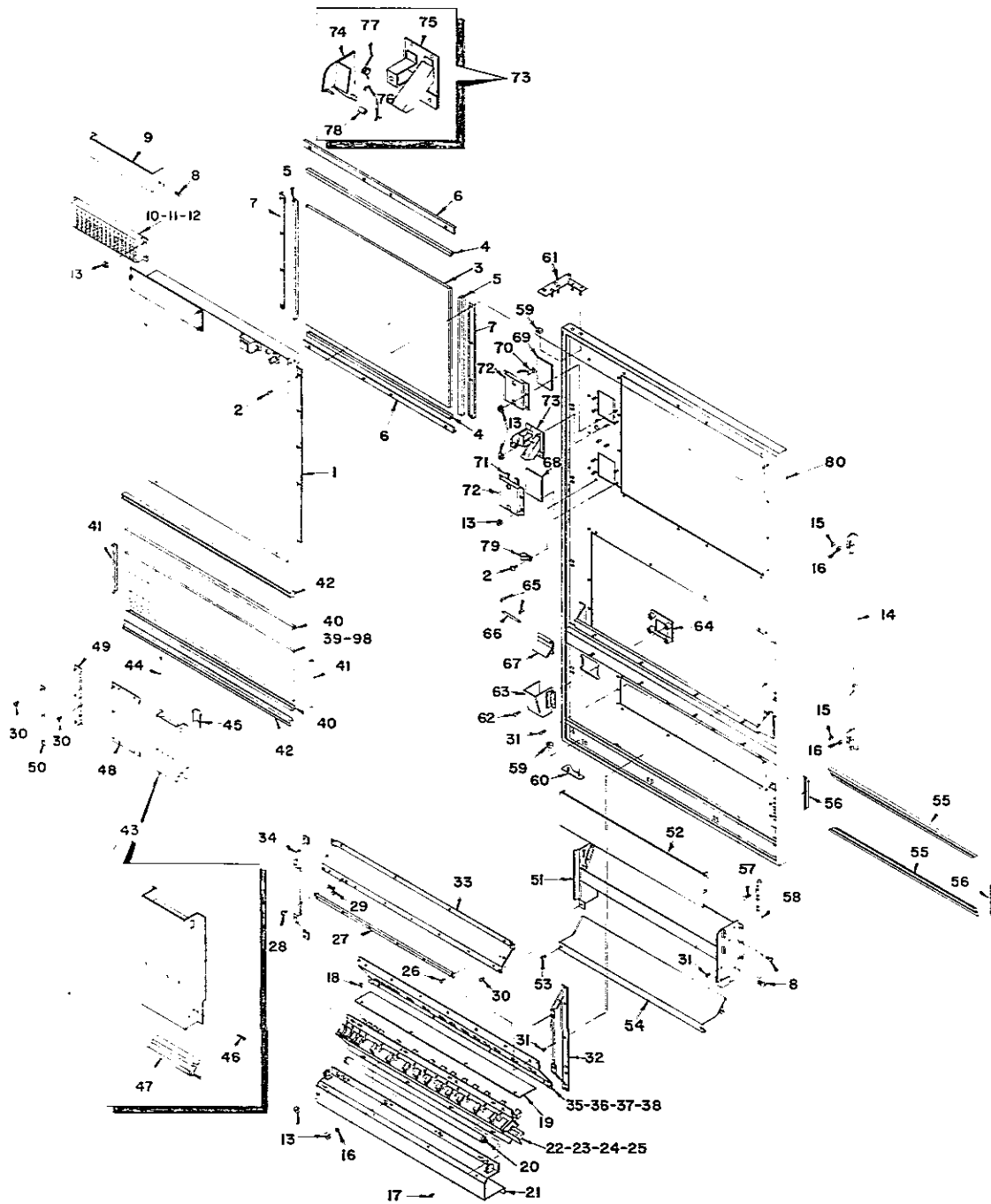


Figure 17 — DOOR ASSEMBLY — ROWE AWARD

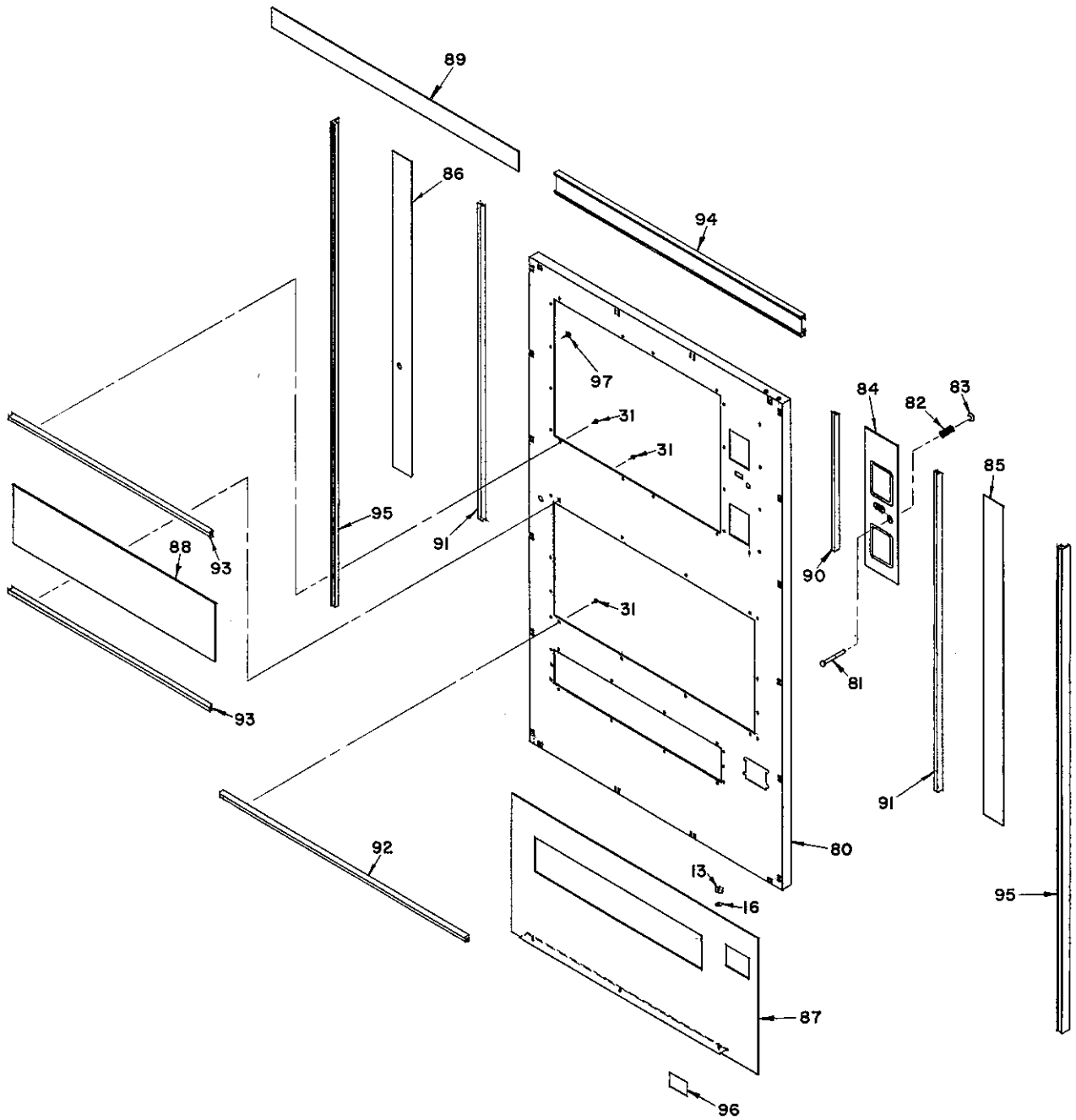


Figure 17 — DOOR ASSEMBLY — ROWE AWARD

| INDEX NO. | PART NO. | DESCRIPTION | QTY. PER ASSEM. |
|-----------|------------|---|-----------------|
| 1 | 160-5203 | Shadow Box Light Assembly..... | 1 |
| 2 | S39C818-8 | Screw 8-18 x 1/2..... | 11 |
| 3 | 160-9005 | Shadow Box Glass..... | 1 |
| 4 | 150-9035 | Shadow Box Glass Gasket — Horizontal..... | 2 |
| 5 | 150-9036 | Shadow Box Glass Gasket — Vertical..... | 2 |
| 6 | 150-4237 | Glass Retainer — Top And Bottom..... | 2 |
| 7 | 150-4235 | Glass Retainer — Sides..... | 2 |
| 8 | S20C832-5 | Screw And Lockwasher 8-32 x 5/16..... | 7 |
| 9 | 160-4040 | Price Exchange Cover..... | 1 |
| 10 | 163-5028 | Price Exchange Assembly..... | 0 to 1 |
| 11 | 164-5028 | Price Exchange Assembly..... | 0 to 1 |
| 12 | 165-5028 | Price Exchange Assembly..... | 0 to 1 |
| 13 | N20C832 | Nut And Lockwasher 8-32..... | 35 |
| 14 | 160-5237 | Lock Bar Assembly..... | 1 |
| 15 | R10K187 | Retaining Ring 3/16..... | 2 |
| 16 | W10C10 | Washer = 10..... | 13 |
| 17 | S41C832-5 | Screw 8-32 x 5/16..... | 2 |
| 18 | S13C832-5 | Screw 8-32 x 5/16..... | 4 |
| 19 | 160-3030 | Light Cover..... | 1 |
| 20 | 001-8091 | Fluorescent Lamp — 18 Watt..... | 1 |
| 21 | 170-5068 | Display Light Assembly..... | 1 |
| 22 | 170-5060 | Model 170 Selector Assembly..... | 0 to 1 |
| 23 | 172-5060 | Model 172 Selector Assembly..... | 0 to 1 |
| 24 | 173-5060 | Model 173 Selector Assembly..... | 0 to 1 |
| 25 | 175-5060 | Model 175 Selector Assembly..... | 0 to 1 |
| 26 | S42C832-5 | Screw 8-32 x 5/16..... | 6 |
| 27 | 160-4026 | Display Light Cover..... | 1 |
| 28 | S42C832-4 | Screw 8-32 x 1/4..... | 10 |
| 29 | 150-7007 | Mint Display Latch..... | 1 |
| 30 | S40C1016-6 | Screw 10-16 x 3/8..... | 8 |
| 31 | S39C818-6 | Screw 8-18 x 3/8..... | 55 |
| 32 | 170-4048 | Display Frame — Left Hand Side..... | 1 |
| 33 | 170-4045 | Display Frame Top..... | 1 |
| 34 | 170-4047 | Display Frame — Right Hand Side..... | 1 |
| 35 | 170-4046 | Model 170 Display Frame Bottom..... | 0 to 1 |
| 36 | 172-4046 | Model 172 Display Frame Bottom..... | 0 to 1 |
| 37 | 173-4046 | Model 173 Display Frame Bottom..... | 0 to 1 |
| 38 | 175-4046 | Model 175 Display Frame Bottom..... | 0 to 1 |
| 39 | 150-9038 | Display Glass With Mint..... | 0 to 1 |
| 40 | 150-9008 | Display Glass Gasket — Horizontal..... | 2 |
| 41 | 150-9007 | Display Glass Gasket — Vertical..... | 2 |
| 42 | 150-2020 | Display Trim..... | 2 |
| 43 | 150-5232 | Mint Display Assembly..... | 1 |
| 44 | 150-6021 | Mint Display Hinge Pin..... | 1 |
| 45 | 150-7008 | Mint Display Back Up Spring..... | 4 |
| 46 | S42C832-5 | Screw And Lockwasher 8-32 x 5/16..... | 4 |
| 47 | 150-3005 | Price Card Holder..... | 1 |
| 48 | 162-4042 | Mint Display Cover..... | 1 |
| 49 | 150-4251 | Mint Display Hinge Mounting..... | 1 |
| 50 | 150-4057 | Hinge Retainer..... | 1 |
| 51 | 170-5044 | Delivery Tray Support And Frame Assembly..... | 1 |
| 52 | 160-5234 | Anti-Cheat Gate Assembly..... | 1 |
| 53 | S20C2520-8 | Screw And Lockwasher 1/4-20 x 1/2..... | 2 |
| 54 | 170-5042 | Delivery Tray Weldment..... | 1 |
| 55 | 170-2022 | Delivery Tray Extrusion — Top And Bottom..... | 2 |
| 56 | 170-2023 | Delivery Tray Extrusion — Right Hand And Left Hand Sides..... | 2 |
| 57 | S30C2520-8 | Screw And Lockwasher 1/4-20 x 1/2..... | 2 |
| 58 | 160-6025 | Door Stabilizer Rod..... | 1 |
| 59 | N20C2520 | Nut And Lockwasher 1/2-20..... | 8 |
| 60 | 150-5313 | Bottom Door Hinge Assembly..... | 1 |
| 61 | 150-5316 | Top Hinge Assembly..... | 1 |
| 62 | S20C1032-6 | Screw And Lockwasher 10-32 x 3/8..... | 4 |

DOOR ASSEMBLY — ROWE AWARD

| INDEX NO. | PART NO. | DESCRIPTION | QTY. PER ASSEM. |
|-----------|-----------|---|-----------------|
| 63 | 001-5132 | Coin Return Cup Assembly..... | 1 |
| 64 | 001-2003 | Coin Return — Front..... | 1 |
| 65 | R10K125 | Retaining Ring 1/8..... | 2 |
| 66 | 001-6122 | Pin — Coin Return Cup..... | 1 |
| 67 | 001-2004 | Coin Return Door..... | 1 |
| 68 | 160-9018 | Instruction Glass..... | 1 |
| 69 | 160-9019 | Out Light Glass..... | 1 |
| 70 | 160-5089 | Indicator Light Assembly..... | 2 |
| 71 | 160-8011 | Out Glass Gasket..... | 4 |
| 72 | 160-4015 | Out Light Glass Cover..... | 2 |
| 73 | 160-5054 | Coin Chute And Return Arm Assembly..... | 1 |
| 74 | 150-5227 | Coin Return Arm Assembly..... | 1 |
| 75 | 160-5053 | Coin Chute And Mounting Assembly..... | 1 |
| 76 | R10K250 | Retaining Ring 1/4..... | 2 |
| 77 | 150-7009 | Coin Return Arm Spring..... | 1 |
| 78 | 150-6070 | Coin Return Roller..... | 1 |
| 79 | 001-8019 | Wire Clamp 7/8..... | 4 |
| 80 | 170-5041 | Door Weldment — Rowe Award..... | 1 |
| 81 | 150-5228 | Coin Return Pin Assembly..... | 1 |
| 82 | 001-7019 | Coin Return Spring..... | 1 |
| 83 | R10K312X | Retaining Ring 5/16..... | 1 |
| 84 | 160-4283 | Coin Receiver Plate..... | 1 |
| 85 | 160-4282 | Door Panel — Left Hand..... | 1 |
| 86 | 160-4281 | Door Panel — Right Hand..... | 1 |
| 87 | 170-5081 | Door Bottom Panel Assembly..... | 1 |
| 88 | 160-4286 | Door Panel — Center..... | 1 |
| 89 | 160-4280 | Door Panel — Top..... | 1 |
| 90 | 170-2025 | Door Extrusion — Center — Vertical..... | 1 |
| 91 | 170-2026 | Door Extrusion — Right Hand And Left Hand — Vertical..... | 2 |
| 92 | 170-2024 | Door Extrusion — Center — Horizontal..... | 2 |
| 93 | 170-2021 | Door Extrusion — Center — Horizontal..... | 2 |
| 94 | 160-2040 | Door Frame — Rowe Award..... | 1 |
| 95 | 160-2041 | Door Frame Sides — Rowe Award..... | 2 |
| 96 | 001-8102 | Name Plate..... | 1 |
| 97 | S40C620-6 | Screw 6-20 x 3/8..... | 20 |
| 98 | 152-9006 | Display Glass — Without Mint..... | 0 to 1 |

DOOR ASSEMBLY — ROWE AWARD

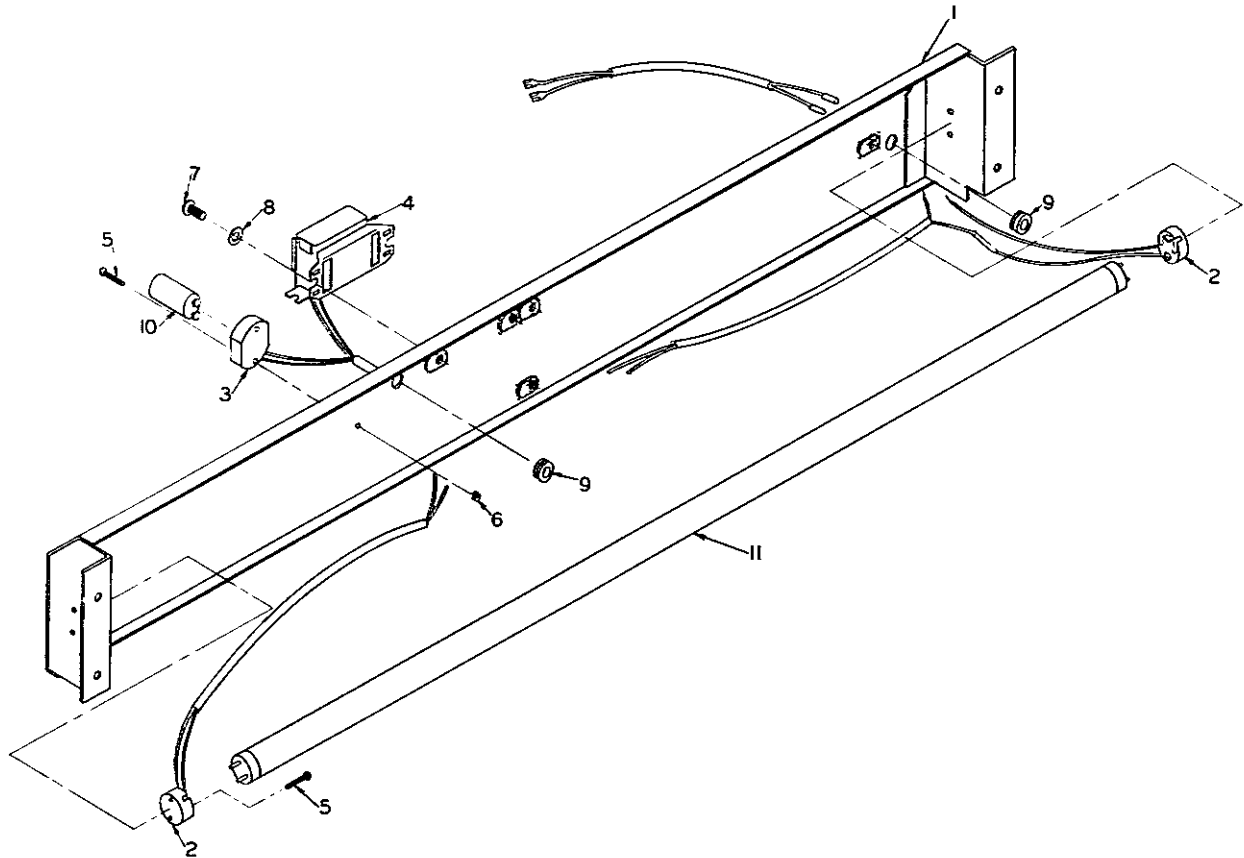


Figure 18 — TOP LIGHT ASSEMBLY

| INDEX NO. | PART NO. | DESCRIPTION | QTY. PER ASSEM. |
|-----------|-----------|---------------------------------------|-----------------|
| 1 | 160-5042 | Top Light Cover Weldment..... | 1 |
| 2 | 001-8029 | Lamp Holder..... | 2 |
| 3 | 001-8028 | Starter Socket..... | 1 |
| 4 | 150-8024 | Ballast 25 Watt..... | 1 |
| 5 | S10C440-8 | Screw 4-40 x 1/2..... | 6 |
| 6 | N20C440 | Nut And Lockwasher 4-40..... | 2 |
| 7 | S20C832-5 | Screw And Lockwasher 8-32 x 5/16..... | 2 |
| 8 | W10C8 | Washer 8..... | 2 |
| 9 | 001-8021 | Grommet..... | 2 |
| 10 | 001-8101 | Starter FS25..... | 1 |
| 11 | 150-8023 | Fluorescent Lamp..... | 1 |

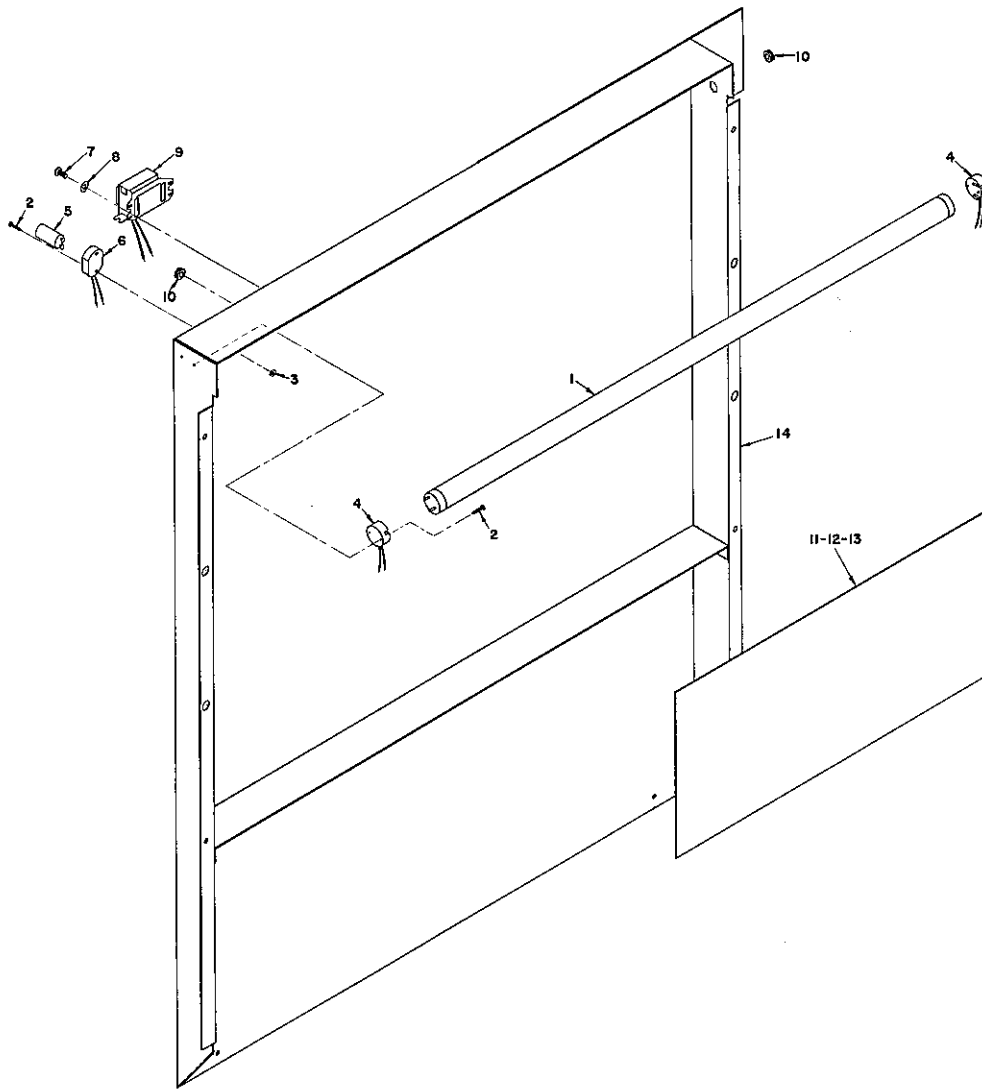


Figure 19 — ROWE AWARD — SHADOW BOX — LIGHT ASSEMBLY

| INDEX NO. | PART NO. | DESCRIPTION | QTY. PER ASSEM. |
|-----------|-----------|---------------------------------------|-----------------|
| 1 | 400-8013 | Fluorescent Lamp..... | 1 |
| 2 | S10C440-8 | Screw 4-40 x 1/2..... | 6 |
| 3 | N20C440 | Nut And Lockwasher 4-40..... | 2 |
| 4 | 001-8029 | Lamp Holder..... | 2 |
| 5 | 001-8101 | Starter FS25..... | 1 |
| 6 | 001-8028 | Starter Socket..... | 1 |
| 7 | S20C832-5 | Screw And Lockwasher 8-32 x 5/16..... | 2 |
| 8 | W10C8 | Washer #8..... | 2 |
| 9 | 400-8046 | Ballast 22 Watt..... | 1 |
| 10 | 001-8021 | Grommet..... | 2 |
| 11 | 160-9030 | Shadow Box Sign — Candy..... | 0 to 1 |
| 12 | 160-9031 | Shadow Box Sign — Snacks..... | 0 to 1 |
| 13 | 160-9032 | Shadow Box Sign — Pastry..... | 0 to 1 |
| 14 | 170-5024 | Shadow Box Weldment..... | 1 |

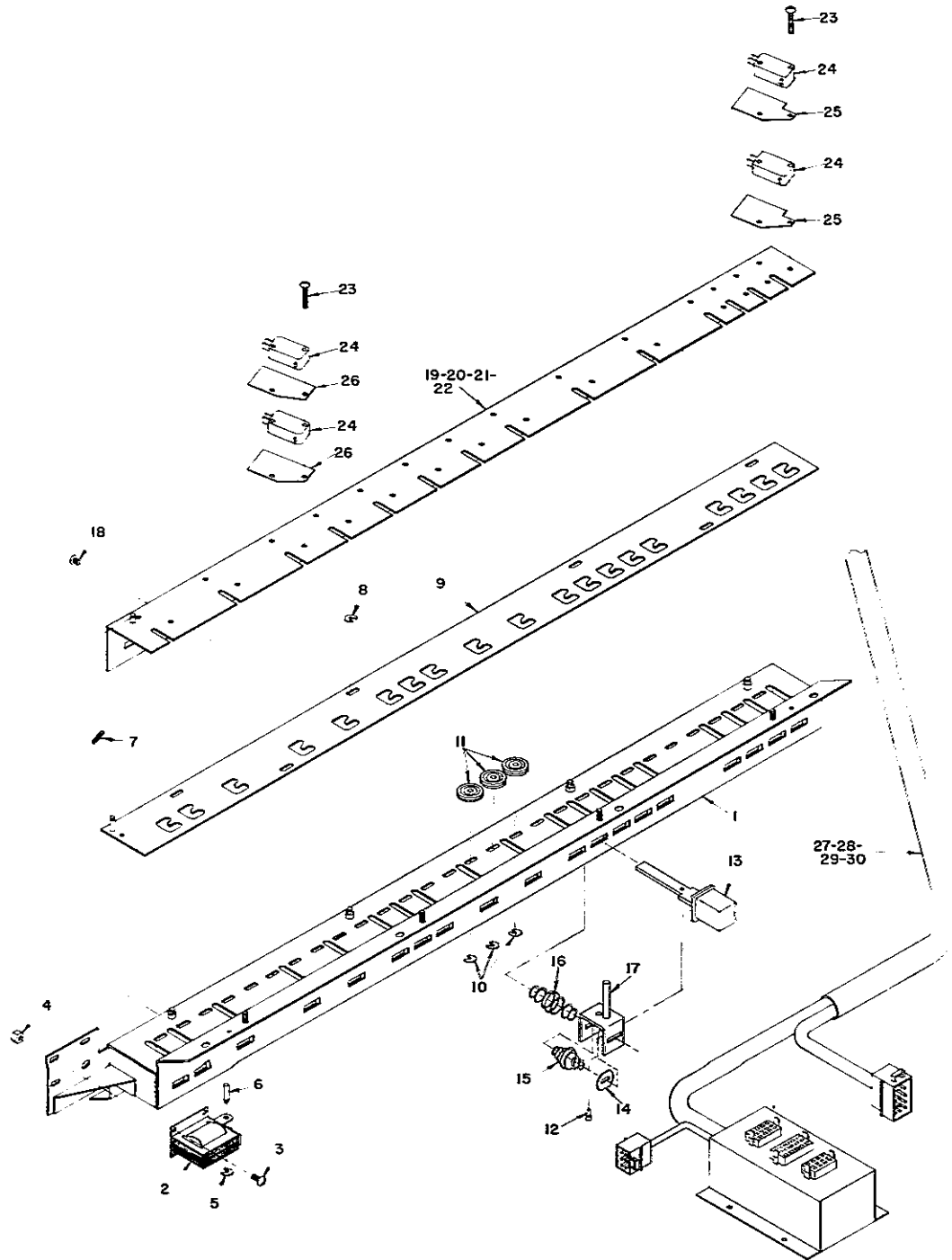


Figure 20 — SELECTOR ASSEMBLY — ALL MODELS

| INDEX NO. | PART NO. | DESCRIPTION | 170 | 172 | 173 | 175 |
|-----------|------------|---------------------------------------|-----|-----|-----|-----|
| 1 | 170-5063 | Selector Weld And Rivet Assembly..... | 1 | 1 | 1 | 1 |
| 2 | 501-8000 | Selector Solenoid..... | 1 | 1 | 1 | 1 |
| 3 | S20C632-5 | Screw And Lockwasher 6-32 x 5/16..... | 4 | 4 | 4 | 4 |
| 4 | N20C632 | Nut And Lockwasher 6-32..... | 4 | 4 | 4 | 4 |
| 5 | R10K125 | Retaining Ring 1/8..... | 1 | 1 | 1 | 1 |
| 6 | 501-6006 | Solenoid Pin..... | 1 | 1 | 1 | 1 |
| 7 | 501-7002 | Extension Spring..... | 1 | 1 | 1 | 1 |
| 8 | R10K156 | Retaining Ring 5/32..... | 6 | 6 | 6 | 6 |
| 9 | 170-5064 | Lock Bar Assembly..... | 1 | 1 | 1 | 1 |
| 10 | R10K187 | Retaining Ring 3/16..... | 28 | 20 | 27 | 28 |
| 11 | 501-5007 | Anti-Cheat Washer Assembly..... | 28 | 20 | 27 | 28 |
| 12 | 501-6009 | Push Pin Retaining Pin..... | 14 | 5 | 12 | 15 |
| 13 | 170-5066 | Push Button Assembly..... | 14 | 5 | 12 | 15 |
| 14 | 501-4012 | Push Pin Washer..... | 14 | 5 | 12 | 15 |
| 15 | 170-7001 | Push Pin Override Spring..... | 14 | 5 | 12 | 15 |
| 16 | 170-7000 | Push Pin Return Spring..... | 14 | 5 | 12 | 15 |
| 17 | 170-5065 | Drive Link — Assembly..... | 14 | 5 | 12 | 15 |
| 18 | S20C832-4 | Screw And Lockwasher 8-32 x 1/4..... | 4 | 4 | 4 | 4 |
| 19 | 170-5062 | Switch Bracket Assembly..... | 1 | 0 | 0 | 0 |
| 20 | 172-5062 | Switch Bracket Assembly..... | 0 | 1 | 0 | 0 |
| 21 | 173-5062 | Switch Bracket Assembly..... | 0 | 0 | 1 | 0 |
| 22 | 175-5062 | Switch Bracket Assembly..... | 0 | 0 | 0 | 1 |
| 23 | S10C440-15 | Screw 4-40 x 15/16..... | 28 | 10 | 24 | 30 |
| 24 | 501-8001 | V3 Micro Switch..... | 28 | 10 | 24 | 30 |
| 25 | 400-9005 | Switch Insulator..... | 8 | 0 | 8 | 8 |
| 26 | 501-9001 | Switch Insulator..... | 20 | 10 | 16 | 22 |
| 27 | 170-5061 | Selector Harness..... | 1 | 0 | 0 | 0 |
| 28 | 172-5061 | Selector Harness..... | 0 | 1 | 0 | 0 |
| 29 | 173-5060 | Selector Harness..... | 0 | 0 | 1 | 0 |
| 30 | 175-5060 | Selector Harness..... | 0 | 0 | 0 | 1 |

SELECTOR ASSEMBLY — ALL MODELS

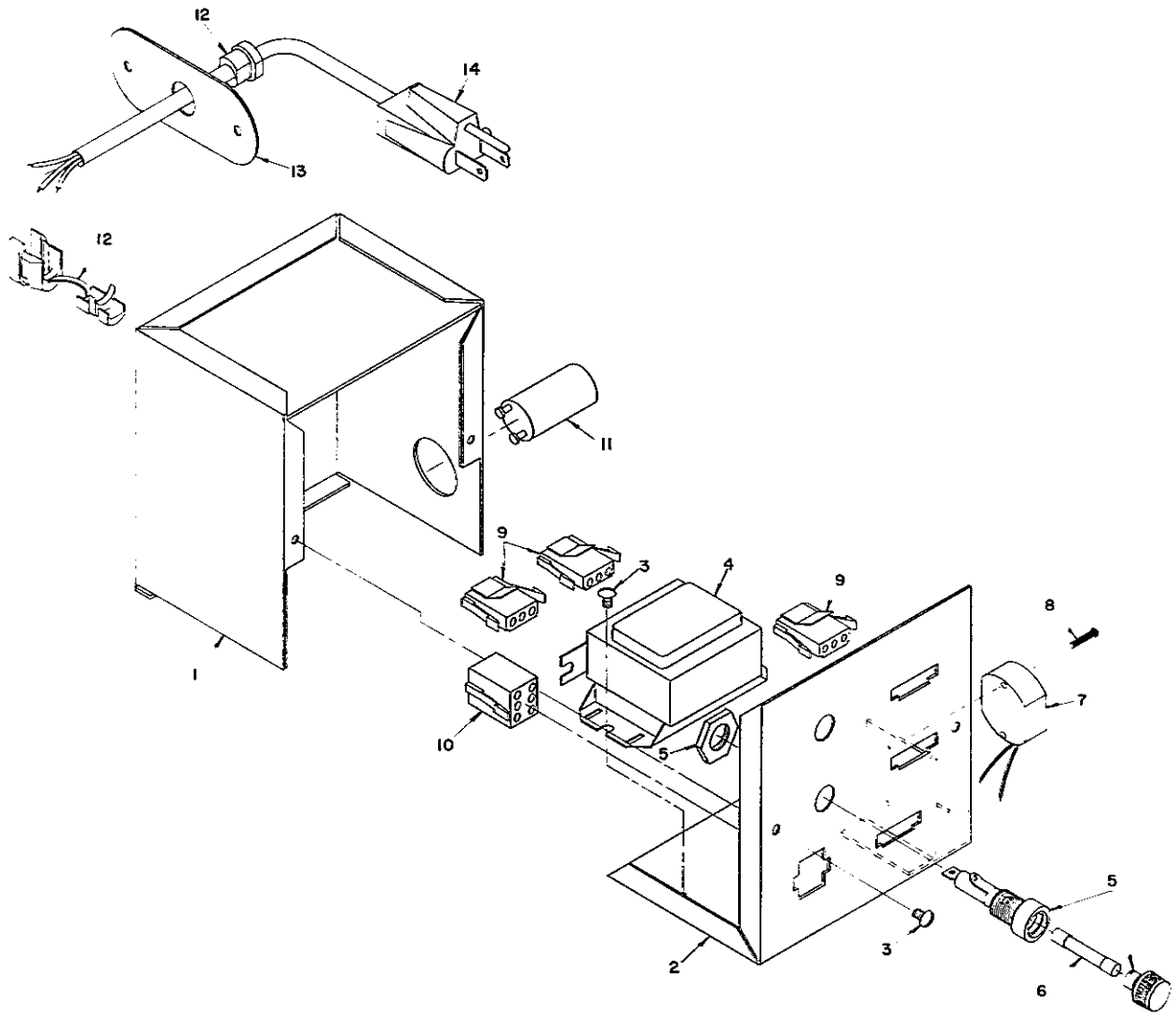


Figure 21 — JUNCTION BOX ASSEMBLY

| INDEX NO. | PART NO. | DESCRIPTION | QTY. PER ASSEM. |
|-----------|-----------|--------------------------------------|-----------------|
| 1 | 160-5161 | Junction Box Weldment..... | 1 |
| 2 | 160-5276 | Junction Box Cover Weldment..... | 1 |
| 3 | S20C832-4 | Screw And Lockwasher 8-32 x 1/4..... | 4 |
| 4 | 001-8079 | Ballast 19 Watt..... | 1 |
| 5 | 001-8071 | Fuse Holder..... | 2 |
| 6 | 001-8072 | Fuse — 5 Amp..... | 2 |
| 7 | 001-8028 | Starter Socket..... | 1 |
| 8 | S10C440-6 | Screw 4-40 x 3/8..... | 2 |
| 9 | 104-8002 | Socket Housing (3 Circuit)..... | 3 |
| 10 | 150-8021 | Socket Housing (6 Circuit)..... | 1 |
| 11 | 001-8101 | Starter FS25..... | 1 |
| 12 | 001-8081 | Strain Relief..... | 2 |
| 13 | 160-4099 | Power Cord Plate..... | 1 |
| 14 | 001-8080 | Power Cord..... | 1 |

NOTES

B. G. - Port of

6 5
4 6
12 1